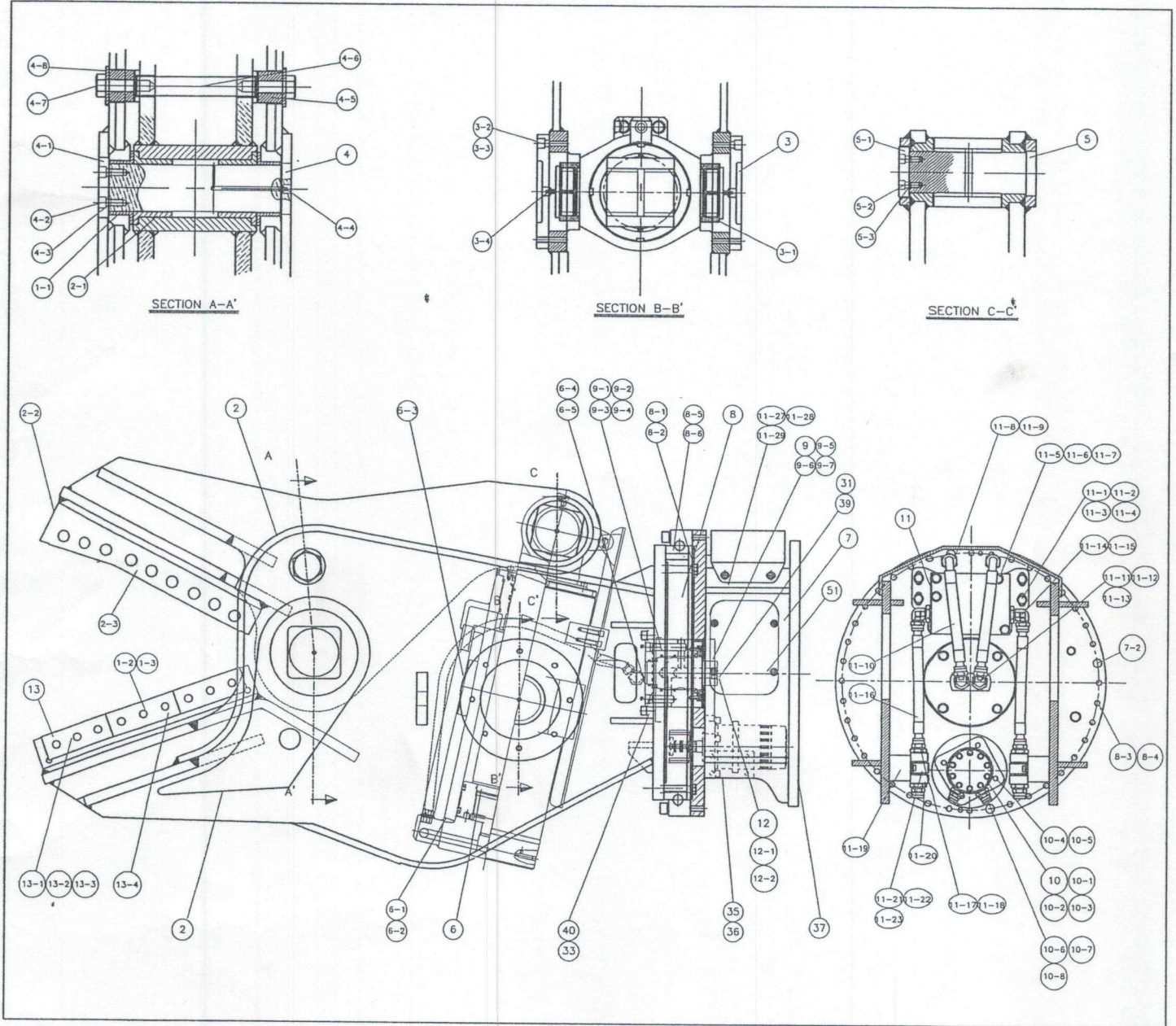


1-2) URS-300 Assembly Drawing



1-3) URS 300 Plate Type Parts List

(SPEED UP VALVE)

No.	Part Name	Part No.	Q'TY	Remarks
1	BODY	SA15 1110	1	
1-1	BUSH BODY UNIT		2	
1-2	CUTTER BODY-B		1	
1-3	BUSH CUTTER BODY		9	
2	ARM	SA15 1210	1	
2-1	BUSH ARM UNIT		2	
2-2	CUTTER BODY-A		1	
2-3	BUSH CUTTER BODY		9	
3	TRUNNION COVER	SA15CNOO	2	
3-1	BUSH TRUNNION	SA15BTOO	2	
3-2	BOLT SOCKET(12.9)	N109-160500	16	M16*50
3-3	WASHER LOCK-RIBBED	N501-160000	16	M16
3-4	GREASE NIPPLE	N651-410002	2	PT 1/4"
4	FRAME PIN	SA15PNOO	1	
4-1	F/PIN END PLATE	SA15PEOO	1	
4-2	BOLT SOCKET(12.9)	N109-200400	4	M20*40
4-3	WASHER LOCK-RIBBED	N501-200000	4	M20
4-4	GREASE NIPPLE	N651-410002	1	PT 1/4"
4-5	SHAFT BUSH	SA15 5330	2	
4-6	SHAFT PIN	SA15 5320	1	
4-7	BOLT HEX (10.9T)	N108-301300	2	M30*130
4-8	WASHER SPRING H/T	N411-301020	2	M30
5	CYLNDER PIN	SA15PN10	1	
5-1	C/PIN END PLATE	SA15PE10	1	
5-2	BOLT SOCKET(12.9)	N109-160400	4	M16*40
5-3	WASHER LOCK-RIBBD	N501-160000	4	M16
6	HYD. CYLINDER ASSY	SA15 2110	1	
6-1	CONNECTOR (O-RING SEAL TYPE)	H010-110006	2	PF1"x PF1" 5#
6-2	O-RING(NOK)	N631-029004	2	1BP 29
6-3	HOSE ASS'Y(5#x905#)	H623-167024	2	1"x 4S x 1200
6-4	90° ELBOW (O-RING SEAL TYPE)	H020-110005	2	PF1"x PF1" 5#
6-5	O-RING(NOK)	N631-029004	2	1BP 29
7	BULK CAP	SA15 1310	1	
7-1	GREASE NIPPLE	N651-410002	3	PT 1/4"
7-2	GREASE NIPPLE	N651-810002	3	PT 1/8"