

VRS 50H

800-00027

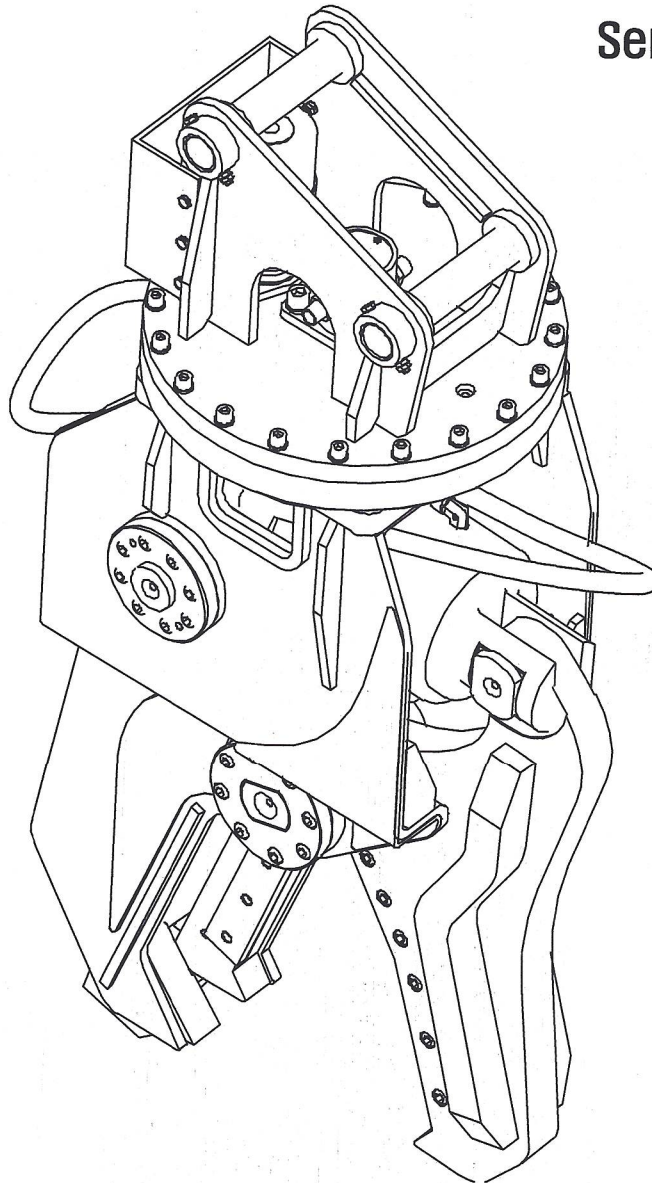
---

# Parts List

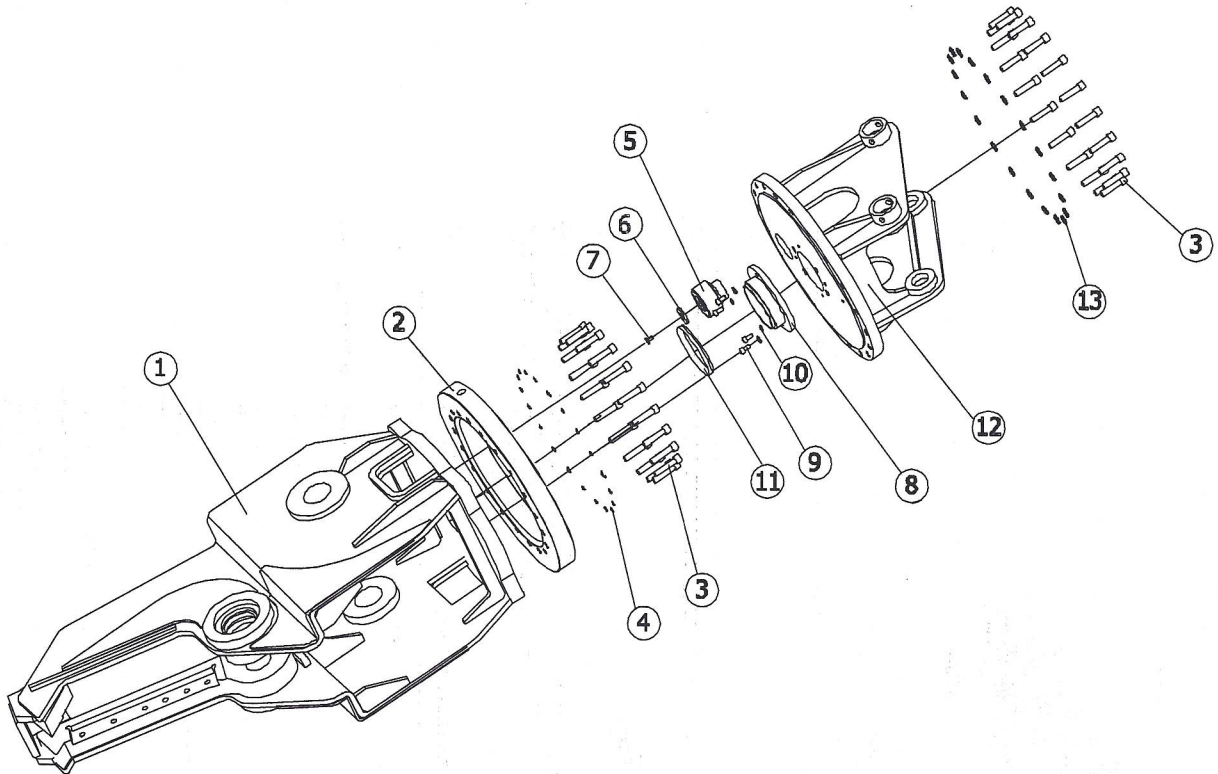
---

Hydraulic Shear  
SH050H

Serial No : H224 ~

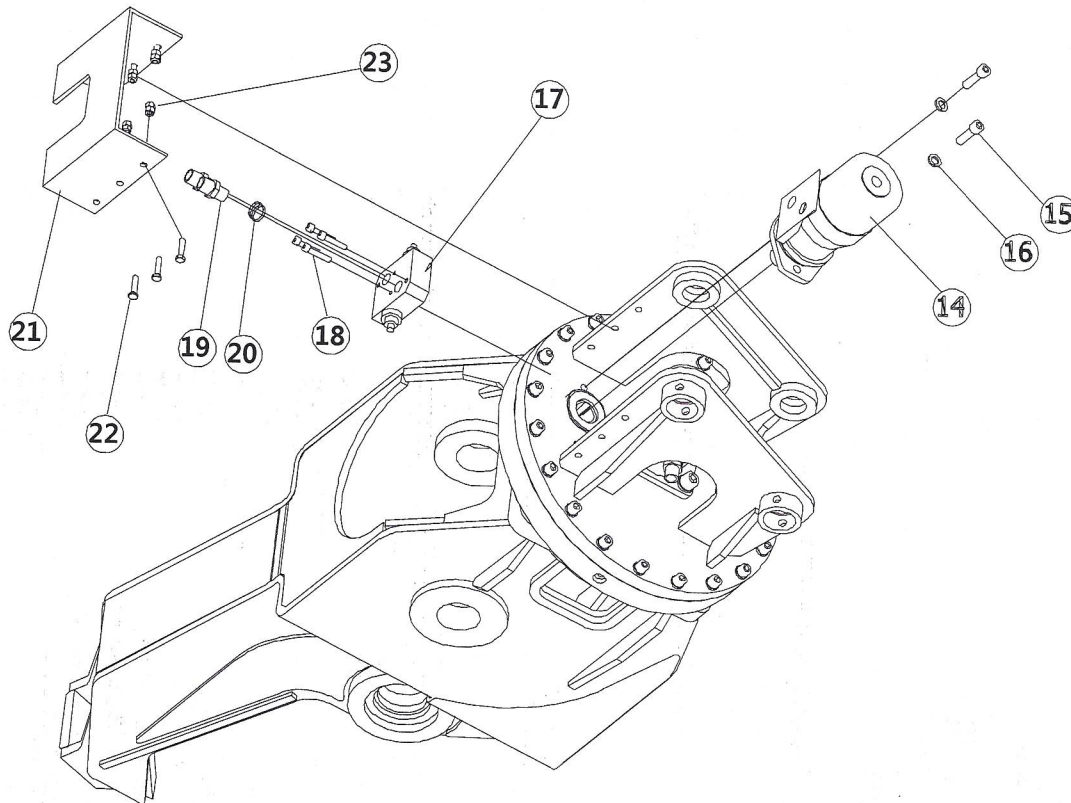


## Parts List : HYDRAULIC ASSEMBLY



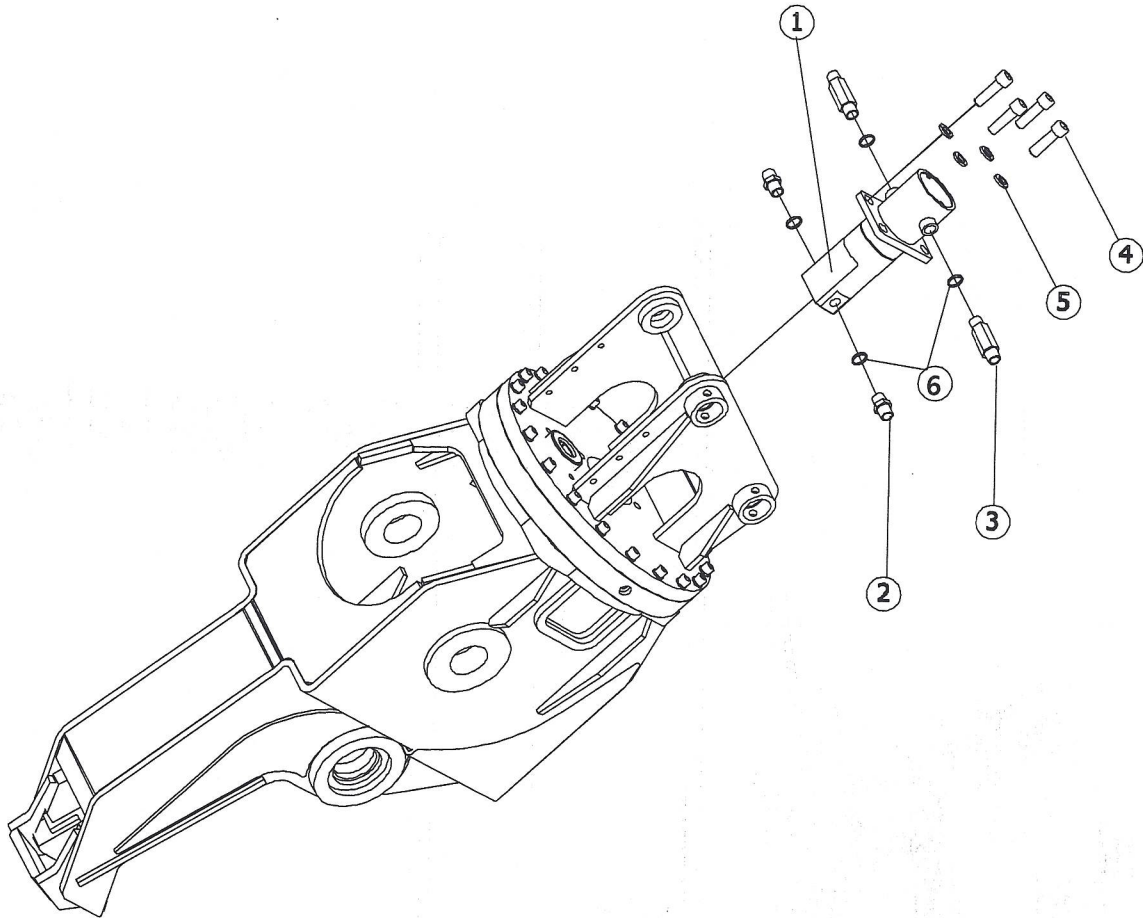
ITEM	PART NO.	PART NAME	Q'TY	REMARK
1	204-00015	FRAME W.A.	1	
2	204-00212	SLEWING RING ASS'Y	1	
3	9016-21210	BOLT, SOCKET	39	M12×50L
4	101-00401	WASHER, SPRING (SOCKET)	20	M12
5	204-00113	PINION GEAR	1	
6	204-00140	PINION SPACER	1	
7	204-00250	FLAT HEAD SCREW	1	M8×20L
8	204-00131	OIL BRACKET	1	
9	9011-10804	BOLT, HEX	4	M8×20L
10	9213-08000	WASHER, SPRING	4	M8
11	V-120A	OIL SEAL	1	Ø110
12	204-00242	MOUNTING W.A.	1	
13	9213-12000	WASHER, SPRING	19	M12

## Parts List : HYDRAULIC ASSEMBLY



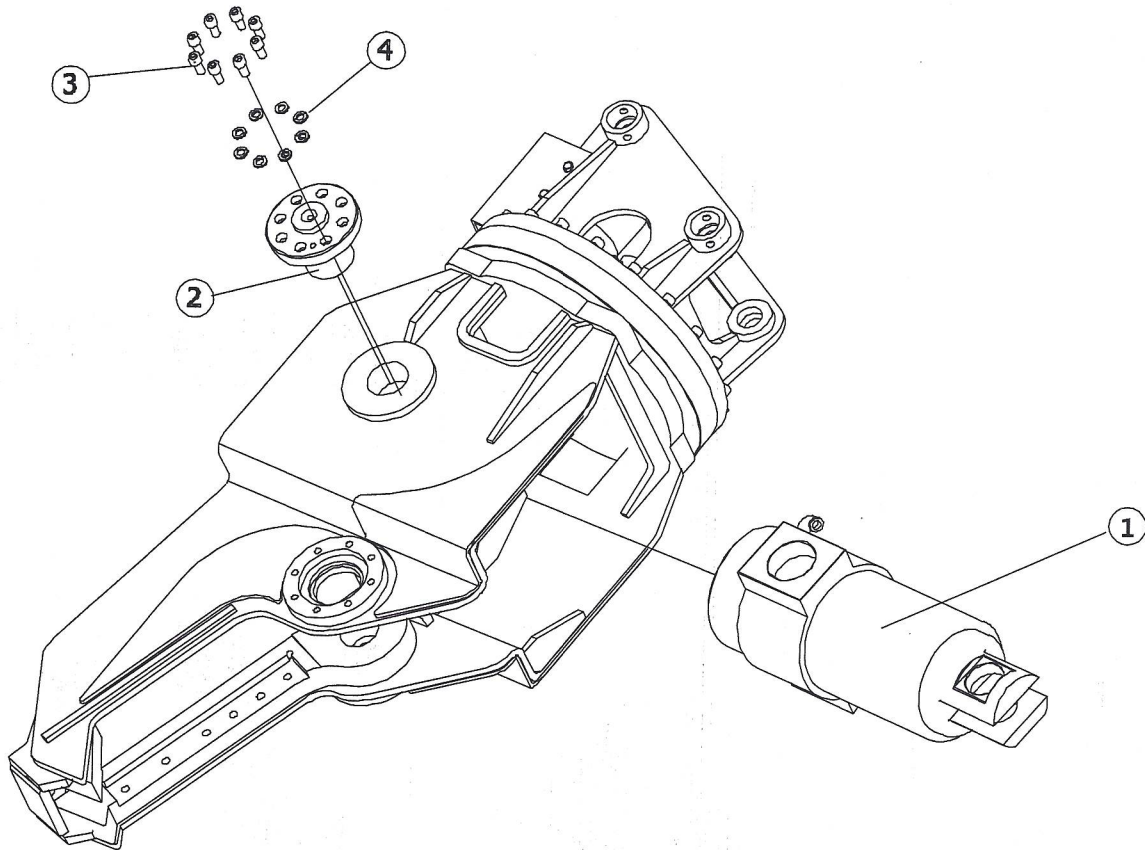
ITEM	PART NO.	PART NAME	Q'TY	REMARK
14	204-00221	HYDRAULIC MOTOR	1	MR 315CU
15	9016-11207	BOLT, SOCKET	2	M12×35L
16	9213-12000	WASHER, SPRING	2	M12
17	204-00230	DOUBLE RELIEF VALVE	1	VAU-MR-1/2"
18	9016-20808	BOLT, SOCKET	4	M8×40L
19	PF1212000	CONNECTOR	2	PF1/2+PF1/2, 8-8 KF4P4S
20	9511-12020	O-RING	2	P22
21	204-00021	COVER, MOUNTING	1	
22	9011-20807	BOLT, HEX	6	M8×35L
23	9111-10800	NUT, HEX	12	M8

## Parts List : TURNING JOINT ASSEMBLY



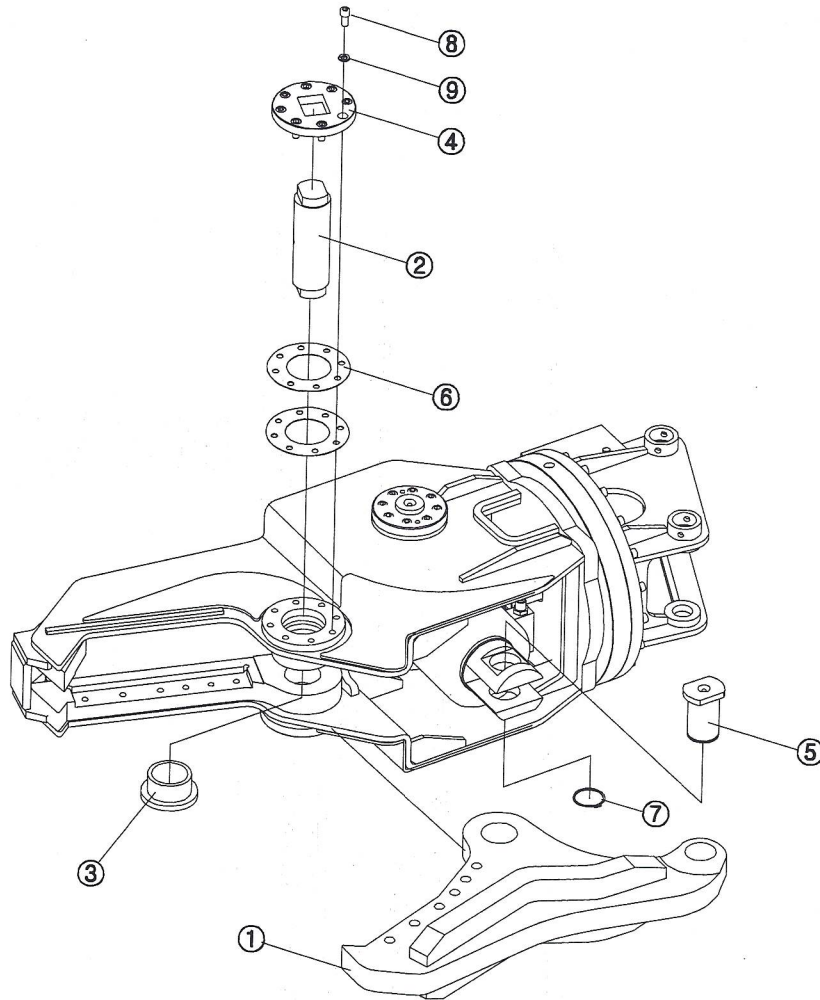
ITEM	PART NO.	PART NAME	Q'TY	REMARK
1	204-00200	TURNING JOINT ASS'Y	1	
2	PF1212000	CONNECTOR	2	PF1/2+PF1/2, 8-8 KF4P4S
3	101-00391	CONNECTOR	2	PF1/2+PF1/2×60L
4	9016-11607	BOLT, SOCKET	4	M16×35L
5	9213-16000	WASHER, SPRING	4	M16
6	9511-12020	O-RING	4	P22
※	K101-00291A	SEAL KIT, T/J		SET, FOR SERVICE

## Parts List : CYLINDER ASSEMBLY



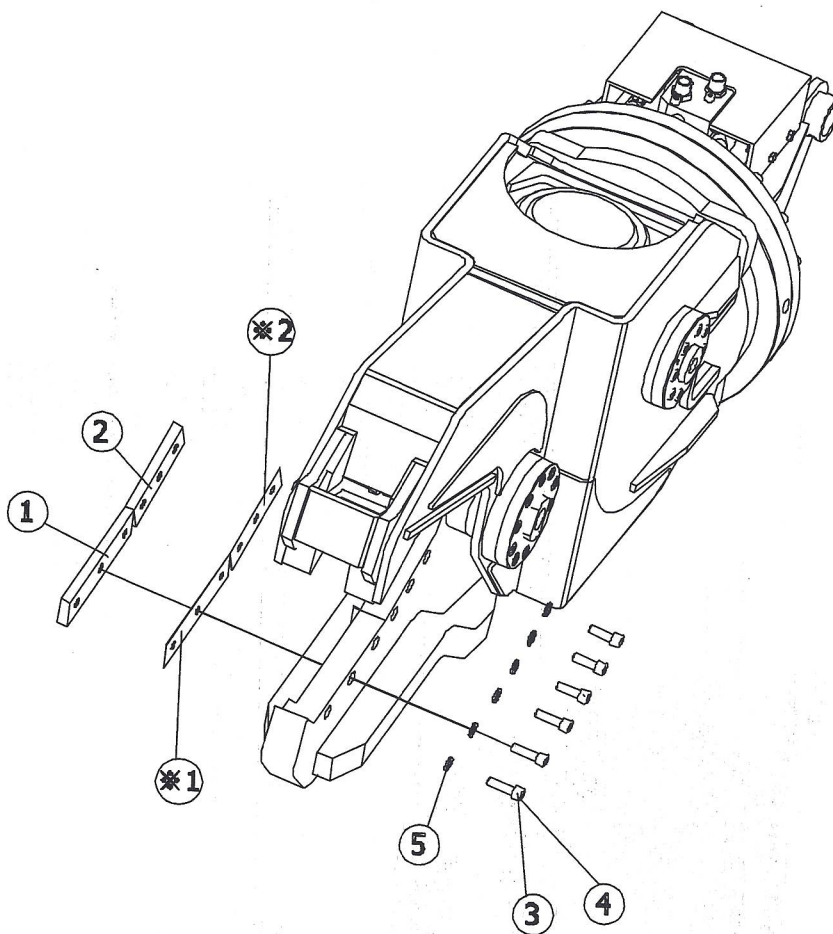
ITEM	PART NO.	PART NAME	Q'TY	REMARK
1	203-00031	CYLINDER ASS'Y	1	
2	203-00082	SHAFT,CYLINDER	2	
3	9016-11205	BOLT,SOCKET	16	M12×25L
4	101-00401	WASHER,SPRING (SOCKET)	16	M12
※	K101-00282B	SEAL KIT,CYL'		SET, FOR SERVICE

# Parts List : ARM ASSEMBLY



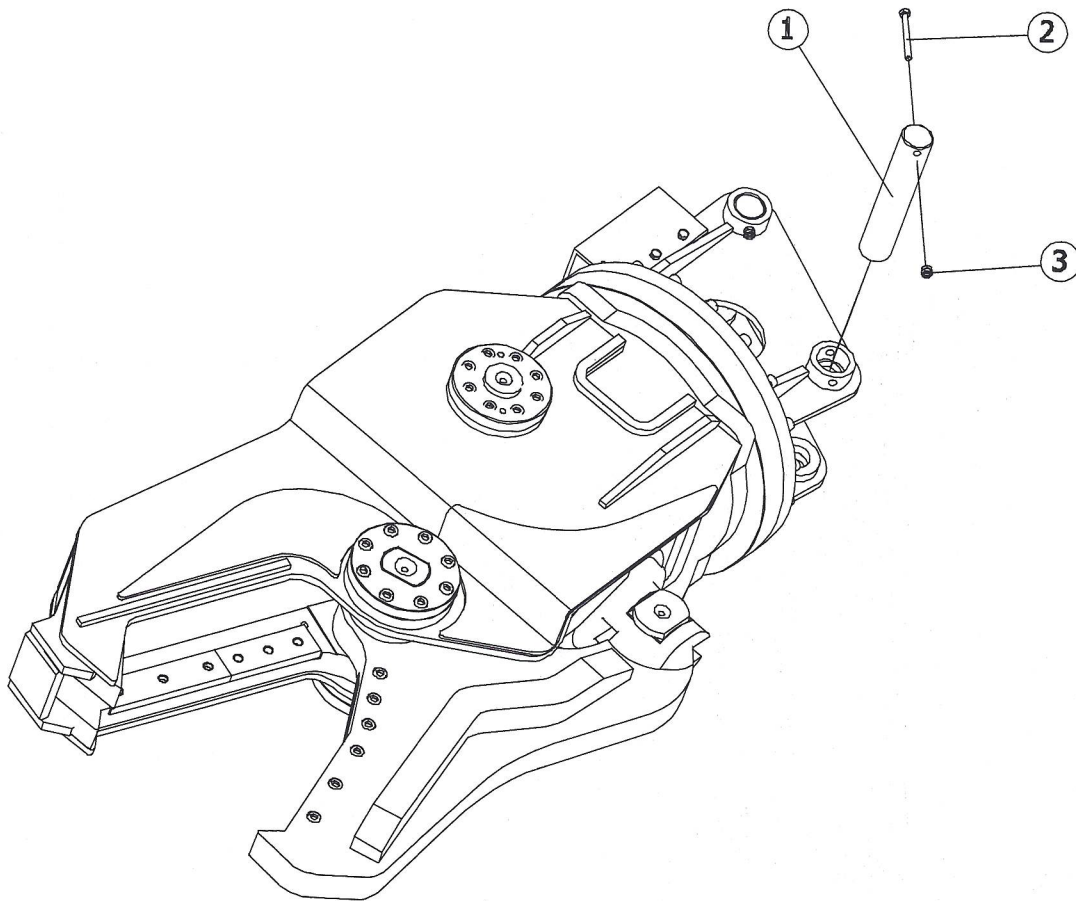
ITEM	PART NO.	PART NAME	Q'TY	REMARK
1	203-00024	ARM W.A	1	
2	203-00043	PIN,ARM	1	
3	203-00051	BUSHING,FRAME	1	
4	203-00045	COVER,ARM PIN	2	
5	101-00063-A	PIN,CYLINDER	1	
6	203-00181	SHIM,COVER	3	1T
7	9541-01070	SNAP RING	1	S60
8	9016-11205	BOLT,SOCKET	16	M12×25L
9	101-00401	WASHER,SPRING (SOCKET)	16	M12

# Parts List : SHEARING KNIFE ASSEMBLY



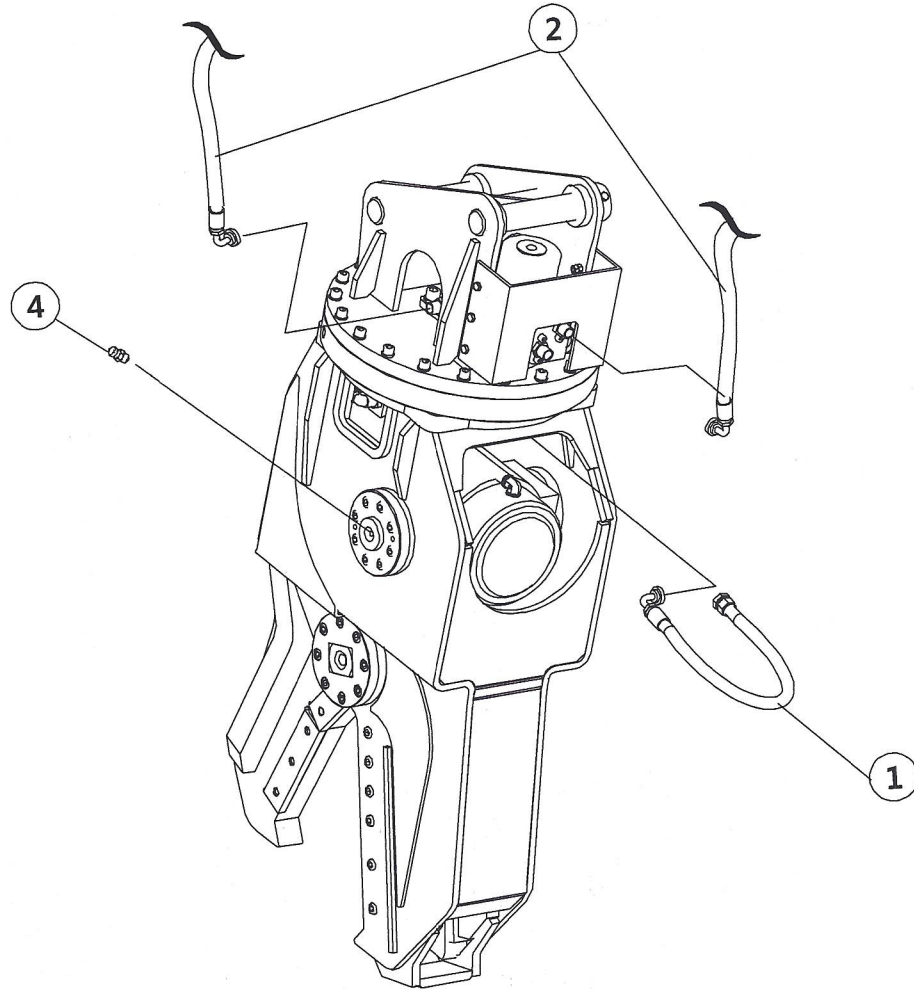
ITEM	PART NO.	PART NAME	Q'TY	REMARK
1	203-00090-A	SHEARING KNIFE	2	
2	203-00100-A	SHEARING KNIFE	2	
3	9016-11207	BOLT, SOCKET	6	M12×35L
4	9016-11208	BOLT, SOCKET	6	M12×40L
5	101-00401	WASHER, SPRING (SOCKET)	12	M12
*1	203-00140	SHIM, KNIFE (for, 200)		0.5T, IF NEEDED
*2	203-00160	SHIM, KNIFE (for, 150)		0.5T, IF NEEDED

# Parts List : MOUNTING PIN ASSEMBLY



ITEM	PART NO.	PART NAME	Q'TY	REMARK
1	9P1-4545-255	PIN,MOUNTING	2	Ø45×255L
2	9011-20816	BOLT,HEX	2	M8×80L
3	9111-10800	NUT,HEX	4	M8

## Parts List : HOSE ASSEMBLY



ITEM	PART NO.	PART NAME	Q'TY	REMARK
1	203-00110	HYDRAULIC HOSE CYL'	2	PF1/2×2W×700+SUS
2	101-00352	HYDRAULIC HOSE MAIN	4	PF1/2×2W×1200+SUS
3	9481-11003	GREASE NIPPLE	6	PT1/8