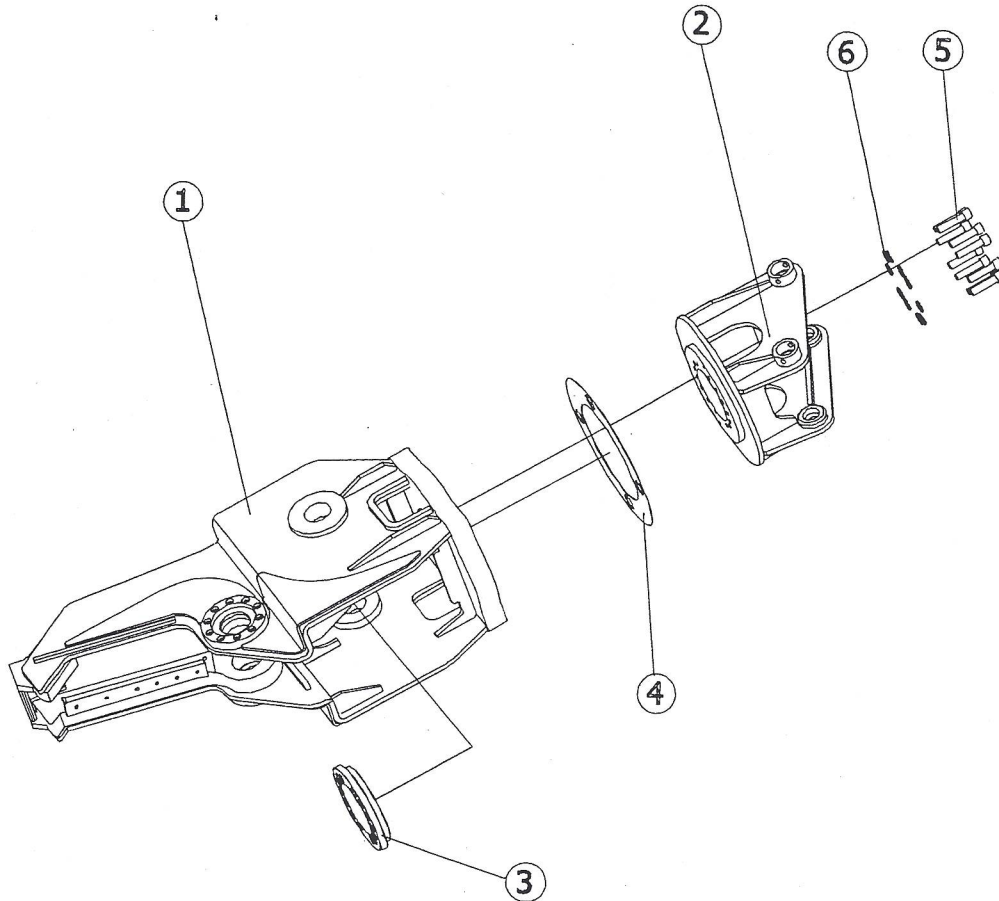


Parts List : MOUNTING ASSEMBLY

URS50



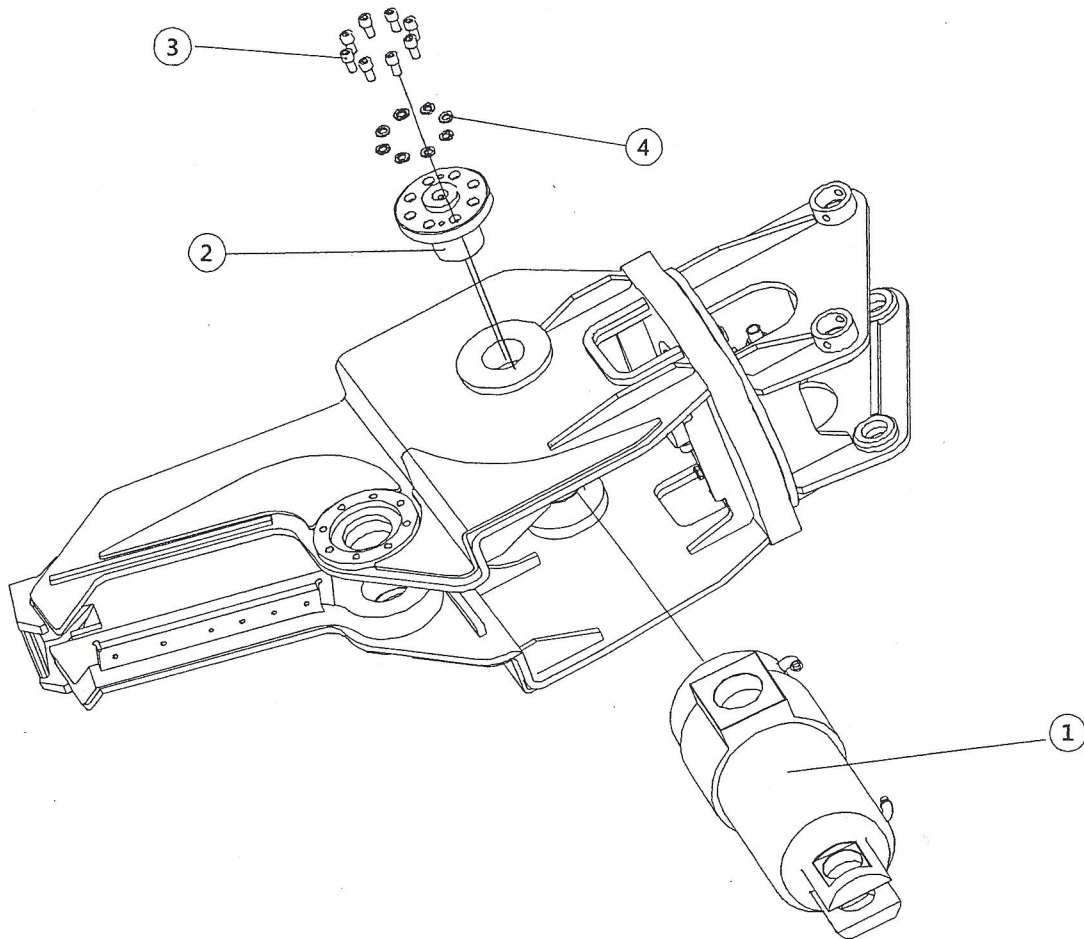
ITEM	PART NO.	PART NAME	Q'TY	REMARK
1	203-00013	FRAME W.A.	1	
2	104-00041	MOUNTING W.A.	1	
3	101-00821-B	PLATE,CIRCLE	1	
4	104-00130	SPACER	1	
5	9016-21613	BOLT,SOCKET	10	M16×65L
6	9213-16000	WASHER,SPRING	10	M16

Parts List : TURNING JOINT ASSEMBLY



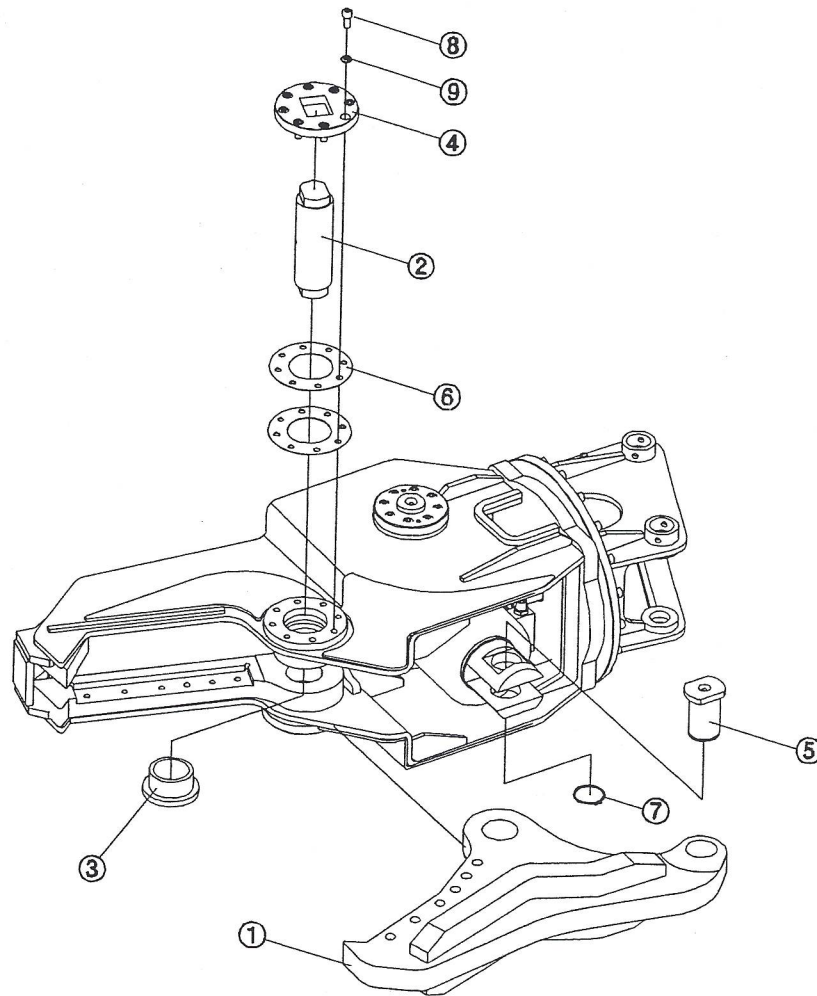
ITEM	PART NO.	PART NAME	Q'TY	REMARK
1	101-00291-A	TURNING JOINT ASS'Y	1	
2	9016-21613	BOLT, SOCKET	4	M16×65L
3	9213-16000	WASHER, SPRING	4	M16
4	101-00391	CONNECTOR	2	PF1/2+PF1/2×60L
5	PF1212000	CONNECTOR	2	PF1/2+PF1/2, 8-8 KF4P4S
6	101-00254	PLATE, TURNING JOINT	1	
7	9011-11207	BOLT, HEX	2	M12×35L
8	9213-12000	WASHER, SPRING	2	M12
9	9511-12020	O-RING	4	P22
※	K101-00291A	SEAL KIT, T/J		SET, FOR SERVICE

Parts List : CYLINDER ASSEMBLY



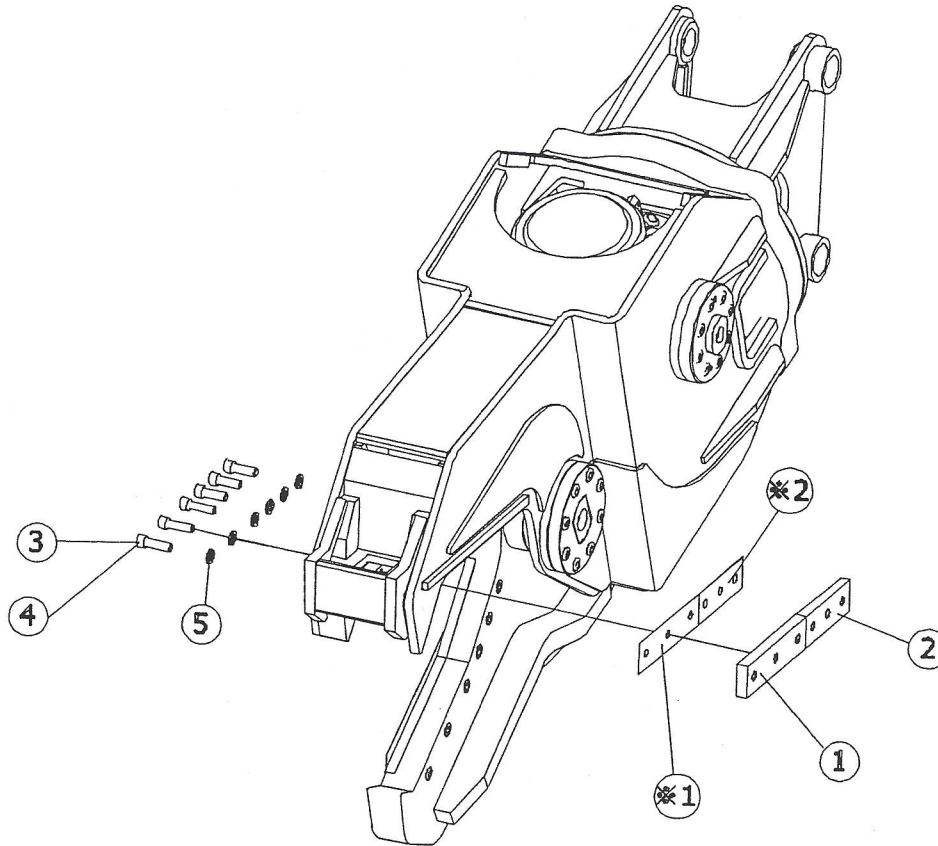
ITEM	PART NO.	PART NAME	Q'TY	REMARK
1	203-00031	CYLINDER ASS'Y	1	
2	203-00082	SHAFT,CYLINDER	2	
3	9016-11205	BOLT, SOCKET	16	M12×25L
4	101-00401	WASHER, SPRING (SOCKET)	16	M12
※	K101-00282B	SEAL KIT,CYL'		SET, FOR SERVICE

Parts List : SHEARING KNIFE ASSEMBLY



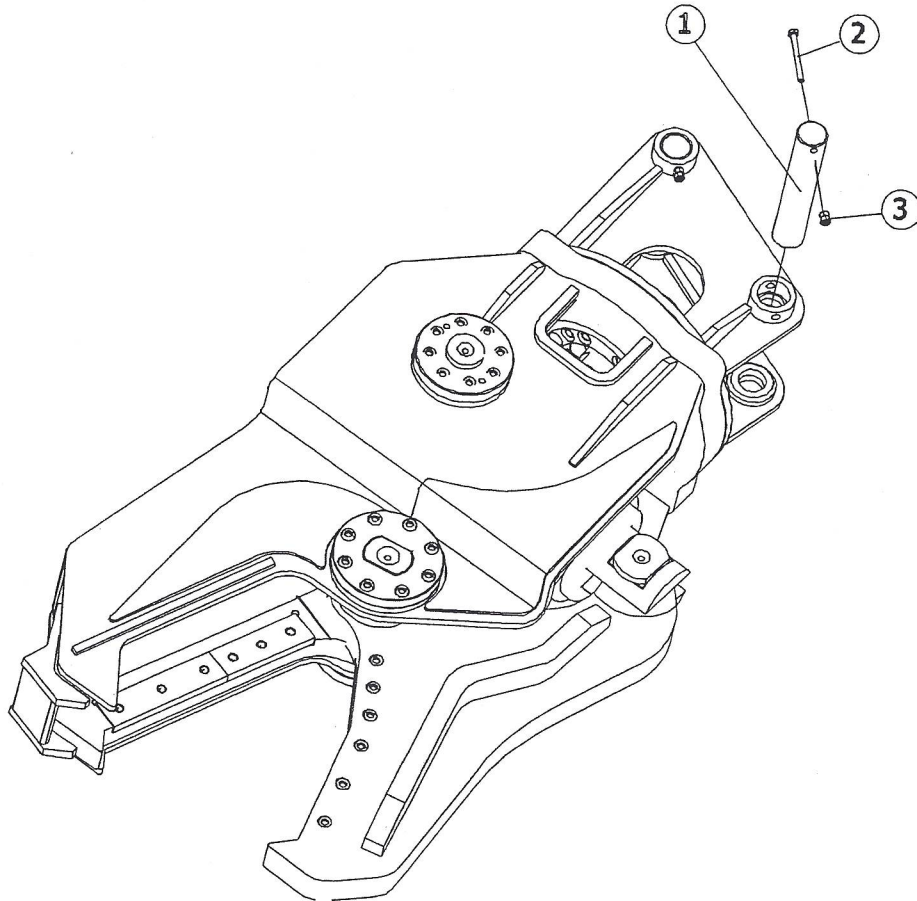
ITEM	PART NO.	PART NAME	Q'TY	REMARK
1	203-00024	ARM W.A	1	✓
2	203-00043	PIN,ARM	1	✓
3	203-00051	BUSHING,FRAME	1	✓
4	203-00045	COVER,ARM PIN	2	
5	101-00063-A	PIN,CYLINDER	1	
6	203-00181	SHIM,COVER	3	1T ✓
7	9541-01070	SNAP RING	1	S60
8	9016-11205	BOLT,SOCKET	16	M12×25L
9	101-00401	WASHER,SPRING (SOCKET)	16	M12

Parts List : SHEARING KNIFE ASSEMBLY



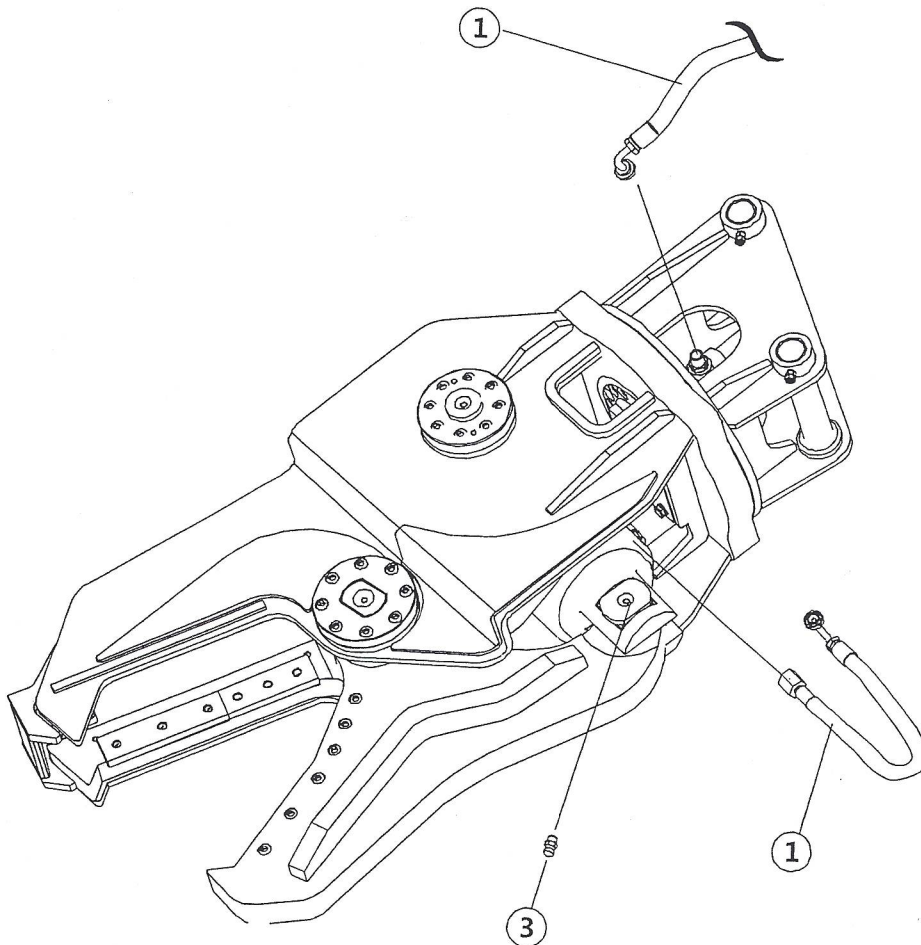
ITEM	PART NO.	PART NAME	Q'TY	REMARK
1	203-00090-A	SHEARING KNIFE	2	15 X 50 X 200
2	203-00100-A	SHEARING KNIFE	2	15 X 50 X 150
3	9016-11207	BOLT, SOCKET	6	M12 X 35L
4	9016-11208	BOLT, SOCKET	6	M12 X 40L
5	101-00401	WASHER, SPRING (SOCKET)	12	M12
*1	203-00140	SHIM, KNIFE (for, 200)		0.5T, If NEEDED
*2	203-00160	SHIM, KNIFE (for, 150)		0.5T, if NEEDED

Parts List : MOUNTING PIN ASSEMBLY



ITEM	PART NO.	PART NAME	Q'TY	REMARK
1	9P1-4545-255	PIN,MOUNTING	2	Ø45×255L
2	9011-20816	BOLT,HEX	2	M8×80L
3	9111-10800	NUT,HEX	4	M8

Parts List : HOSE ASSEMBLY



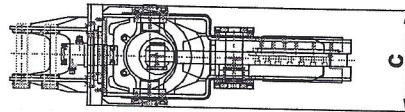
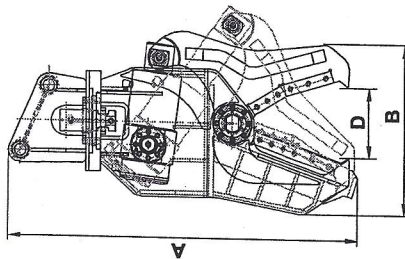
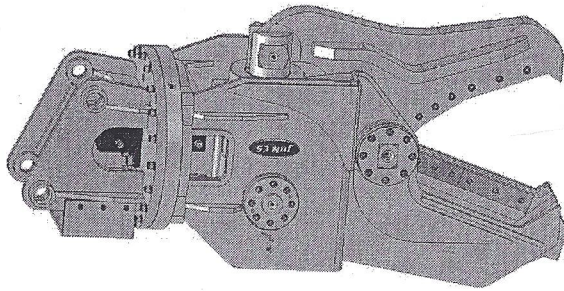
ITEM	PART NO.	PART NAME	Q'TY	REMARK
1	203-00110	HYDRAULIC HOSE CYL'	2	PF1/2×2W×700+SUS
2	101-00352	HYDRAULIC HOSE MAIN	2	PF1/2×2W×1200+SUS
3	9481-11003	GREASE NIPPLE	6	PT1/8

Mini Shear

- Lightweight design for stability of operating machine
- Trunnion mounting cylinder for compact design
- High strength and wear resistance materials for reliability
- Full line-up for mini excavators

	Unit	SH020	SH030	SH050	SH050H
Weight	kg	190	260	430	500
Total Length	A	1,085	1,186	1,412	1,456
Total Width	B	478	576	665	665
Total Height	C	290	350	400	465
Jaw Opening	D	200	230	290	290
Pressure (cylinder)	bar	210	210	210	210
Oil Flow (cylinder)	lpm	20-45	30-75	40-80	40-80
Pressure (rotation)	bar	-	-	-	120
Oil Flow (rotation)	lpm	-	-	-	20-30
Force at Throat	ton	65	111	152	152
Force at Mid	ton	34	47	60	60
Force at Front	ton	22	26	33	33
Jaw Material		Hardox 500			
Rotating		360° Free Rotating			
Excavator	ton	0.7~2.0	1.5~3.0	2.5~5.0	4.5~8.0

* Above specification to be changed without prior notice.



URS 50

JUN CS