

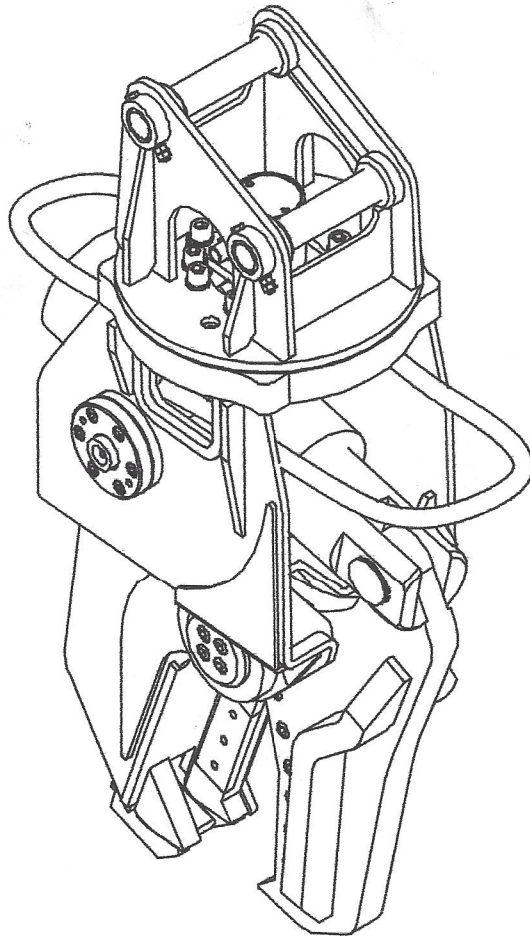
800-00025

Parts List

Hydraulic Shear

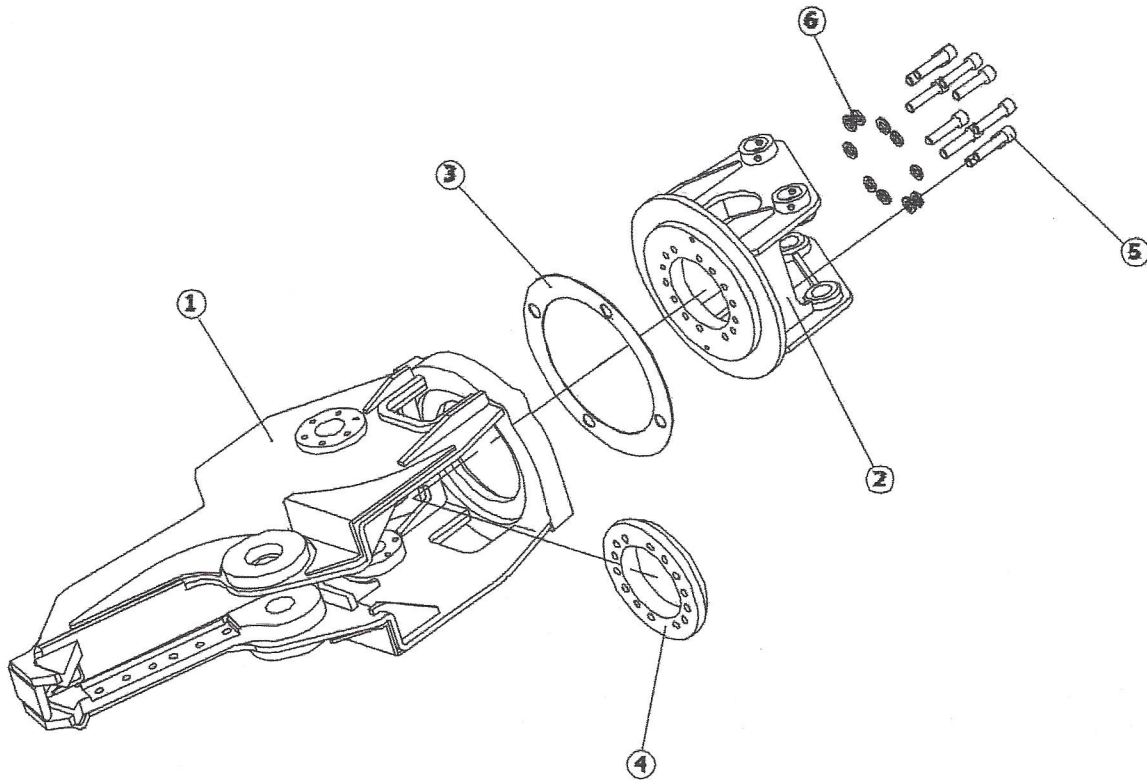
URS 030

Serial No : F209~



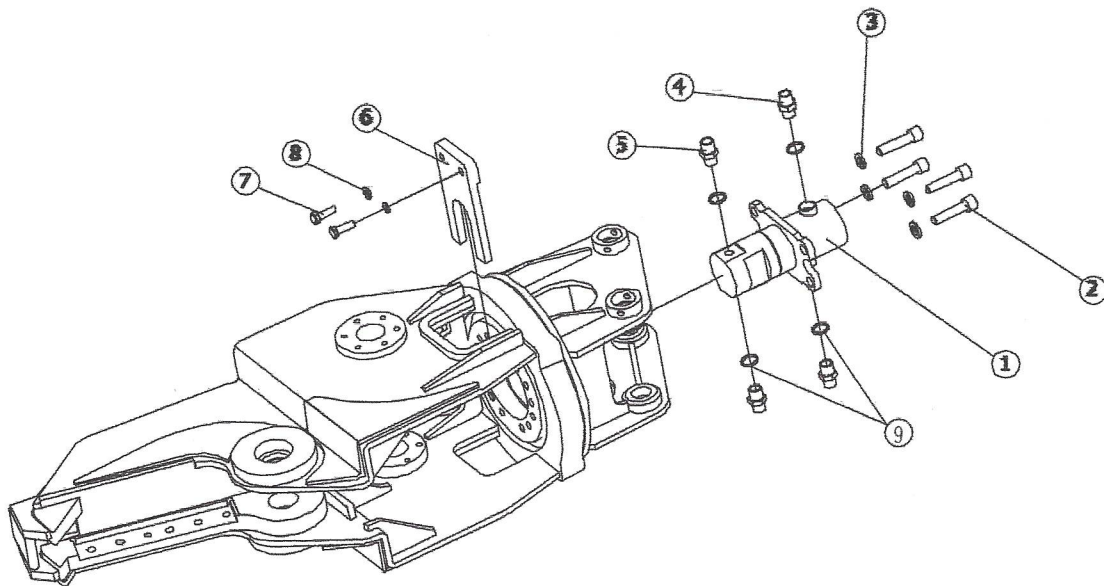
HYUNDAI

Parts List : MOUNTING ASSEMBLY



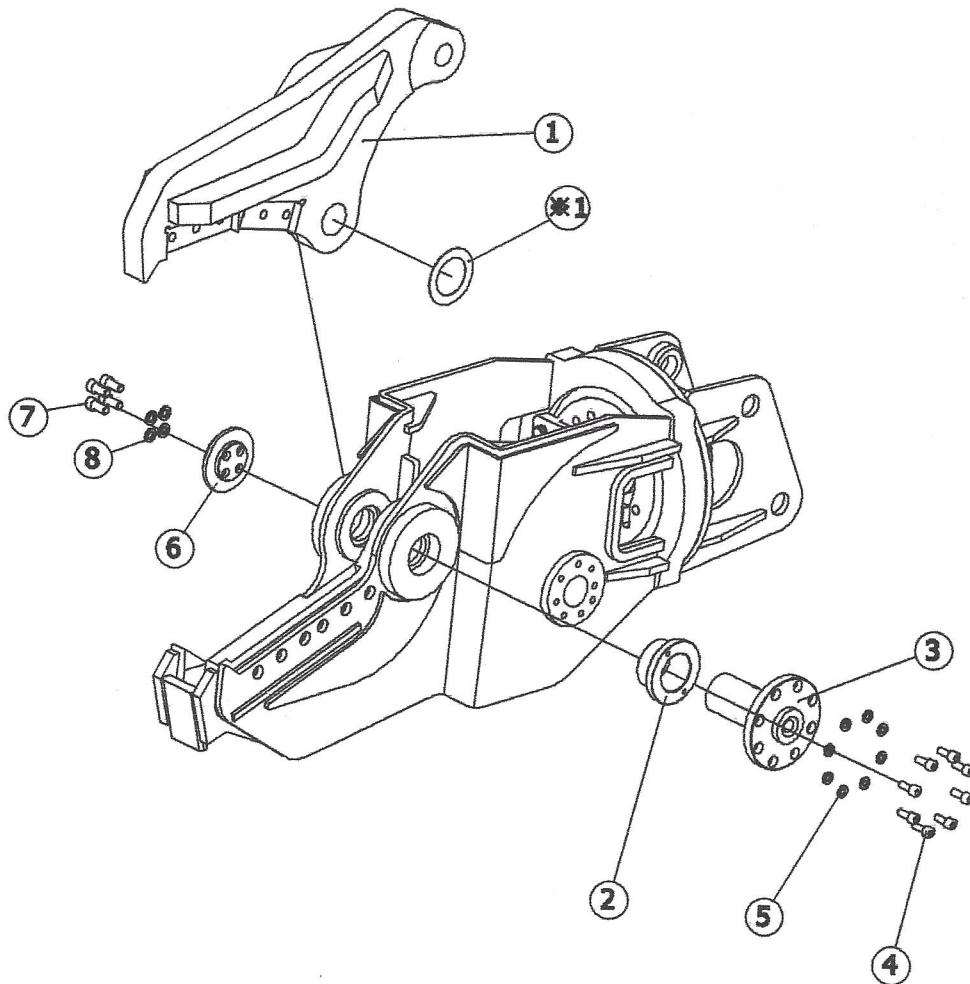
ITEM	PART NO.	PART NAME	Q'TY	REMARK
1	202-00013	FRAME W.A.	1	
2	101-00275	MOUNTING W.A.	1	
3	101-00441	SPACER	1	
4	101-00821-B	PLATE,CIRCLE	1	
5	9016-21613	BOLT,SOCKET	10	M16×65L
6	9213-16000	WASHER,SPRING	10	M16

Parts List : TURNING JOINT ASSEMBLY



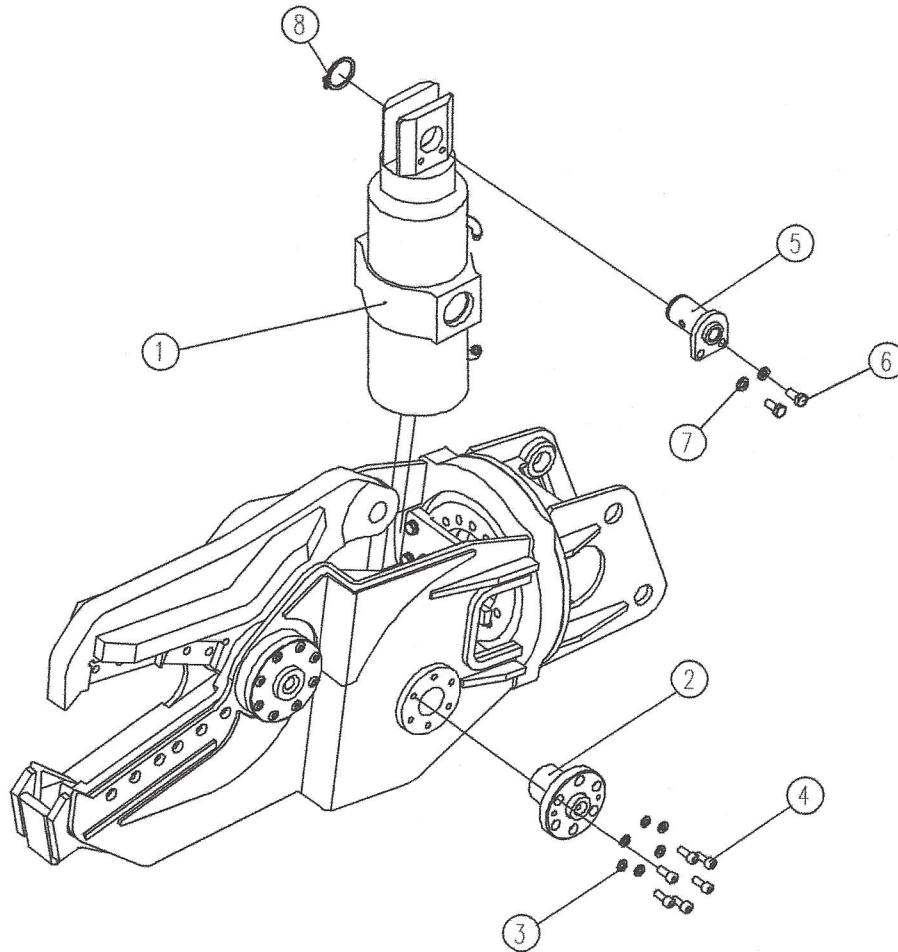
ITEM	PART NO.	PART NAME	Q'TY	REMARK
1	101-00291-A	TURNING JOINT ASS'Y	1	
2	9016-21613	BOLT, SOCKET	4	M16×65L
3	9213-16000	WASHER, SPRING	4	M16
4	PF1212000	CONNECTOR	2	PF1/2+PF1/2, 8-8 KF4P4S
5	PF1238000	CONNECTOR	2	PF3/8+PF1/2, 6-8 KF4P4S
6	101-00254	PLATE, TURNING JOINT	1	
7	9011-11207	BOLT, HEX	2	M12×35L
8	9213-12000	WASHER, SPRING	2	M12
9	9511-12020	O-RING	4	P22
□	K101-00291A	SEAL KIT, T/J		SET, FOR SERVICE

Parts List : ARM ASSEMBLY



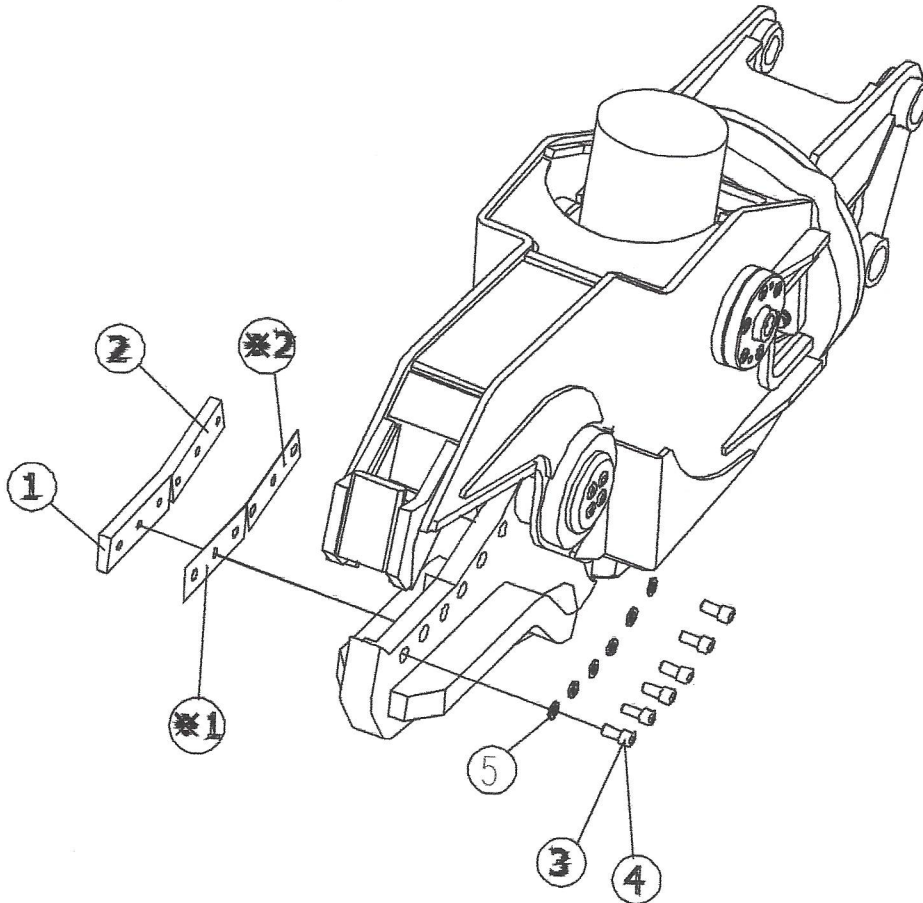
ITEM	PART NO.	PART NAME	Q'TY	REMARK
1	202-00022	ARM W.A.	1	
2	201-00050	BUSHING,FRAME	1	
3	201-00040-C	PIN,ARM	1	
4	9016-11005	BOLT,SOCKET	8	M10×25L
5	103-00250	WASHER,SPRING (SOCKET)	8	M10
6	201-00060	ARM PIN,COVER	1	
7	9016-11206	BOLT,SOCKET	4	M12×30L
8	9213-12000	WASHER,SPRING	4	M12
□1	201-00500	BUSHING, FRAME SHIM		1T, IF NEEDED

Parts List : CYLINDER ASSEMBLY



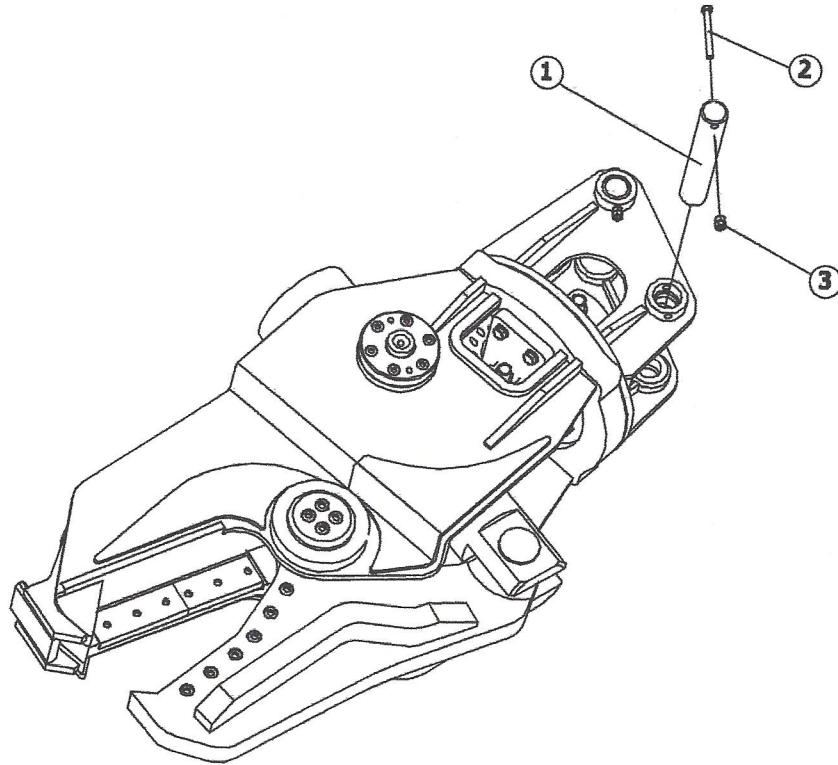
ITEM	PART NO.	PART NAME	Q'TY	REMARK
1	202-00032	CYLINDER ASS'Y	1	
2	202-00082-A	PIN, CYLINDER	2	
3	103-00250	WASHER, SPRING (SOCKET)	12	M10
4	9016-11005	BOLT, SOCKET	12	M10×25L
5	102-00151	PIN, CYLINDER	1	
6	9016-11206	BOLT, HEX	2	M12×30L
7	9213-12000	WASHER, SPRING	2	M12
8	9541-01045	SNAP RING	1	S45
□	K202-00032	SEAL KIT, CYL'		SET, FOR SERVICE

Parts List : SHEARING KNIFE ASSEMBLY



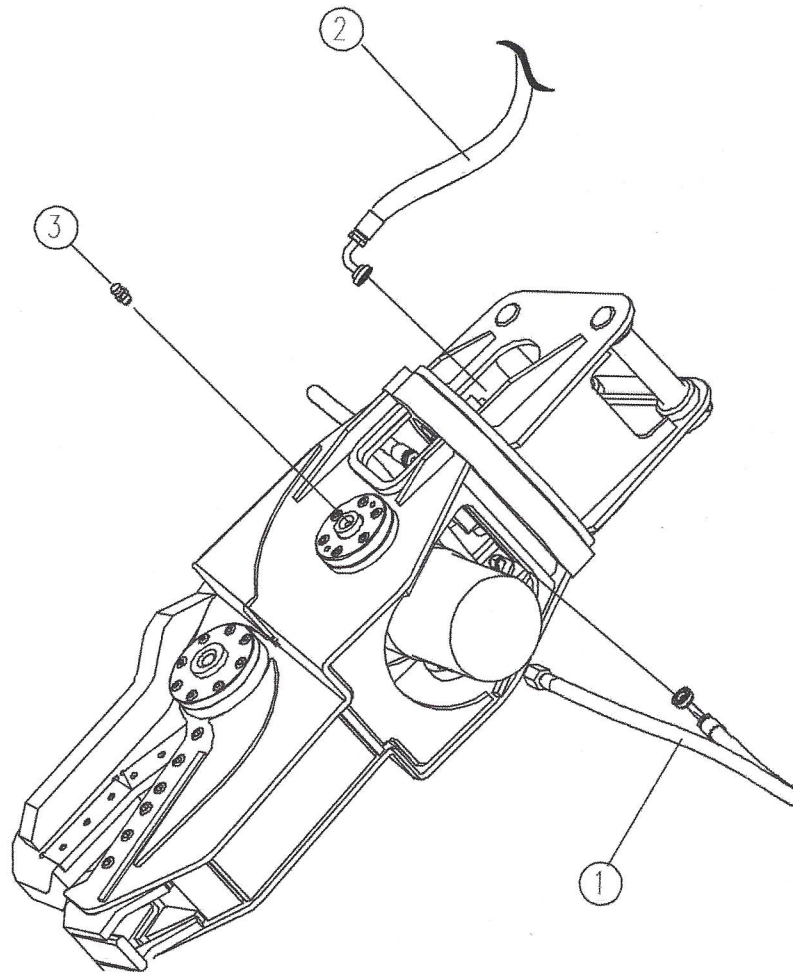
ITEM	PART NO.	PART NAME	Q'TY	REMARK
1	202-00090-A	SHEARING KNIFE	2	
2	203-00100-A	SHEARING KNIFE	2	
3	9016-11205	BOLT, SOCKET	6	M12×25L
4	9016-11206	BOLT, SOCKET	6	M12×30L
5	101-00401	WASHER, SPRING (SOCKET)	12	M12
□1	202-00110	SHIM, KNIFE (for, 125)		0.5T, IF NEEDED
□2	203-00160	SHIM, KNIFE (for, 150)		0.5T, IF NEEDED

Parts List : MOUNTING PIN ASSEMBLY



ITEM	PART NO.	PART NAME	Q'TY	REMARK
1	9P1-4040-235	PIN,MOUNTING	2	Ø40×235L
2	9011-20816	BOLT,HEX	2	M8×80L
3	9111-10800	NUT,HEX	4	M8

Parts List : HOSE ASSEMBLY



ITEM	PART NO.	PART NAME	Q'TY	REMARK
1	102-00300	HYDRAULIC HOSE CYL'	2	PF3/8×2W×600+SUS
2	101-00352	HYDRAULIC HOSE MAIN	2	PF1/2×2W×1200+SUS
3	9481-11003	GREASE NIPPLE	6	PT1/8