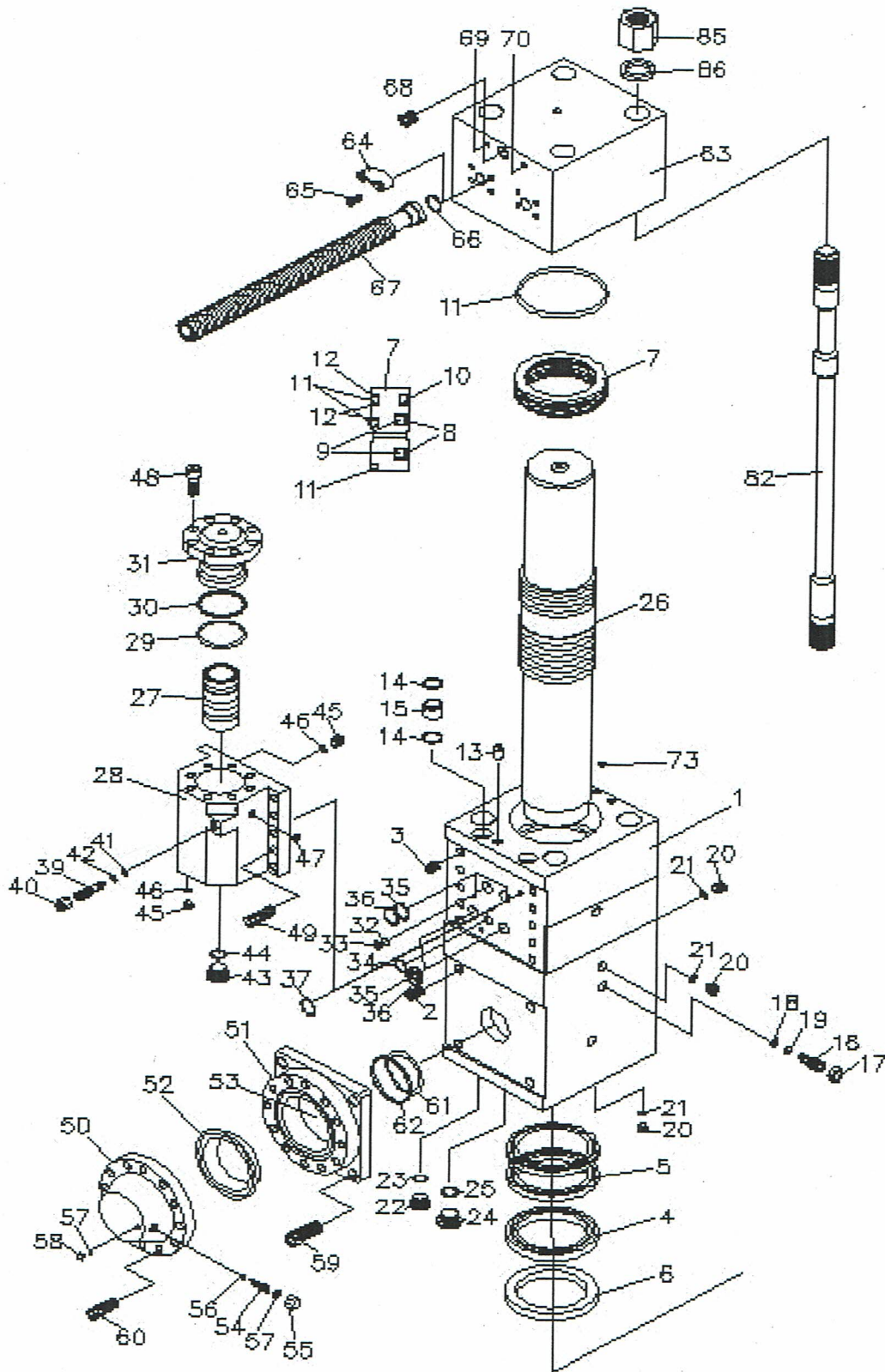


1.1 MAIN BODY ASSEMBLY

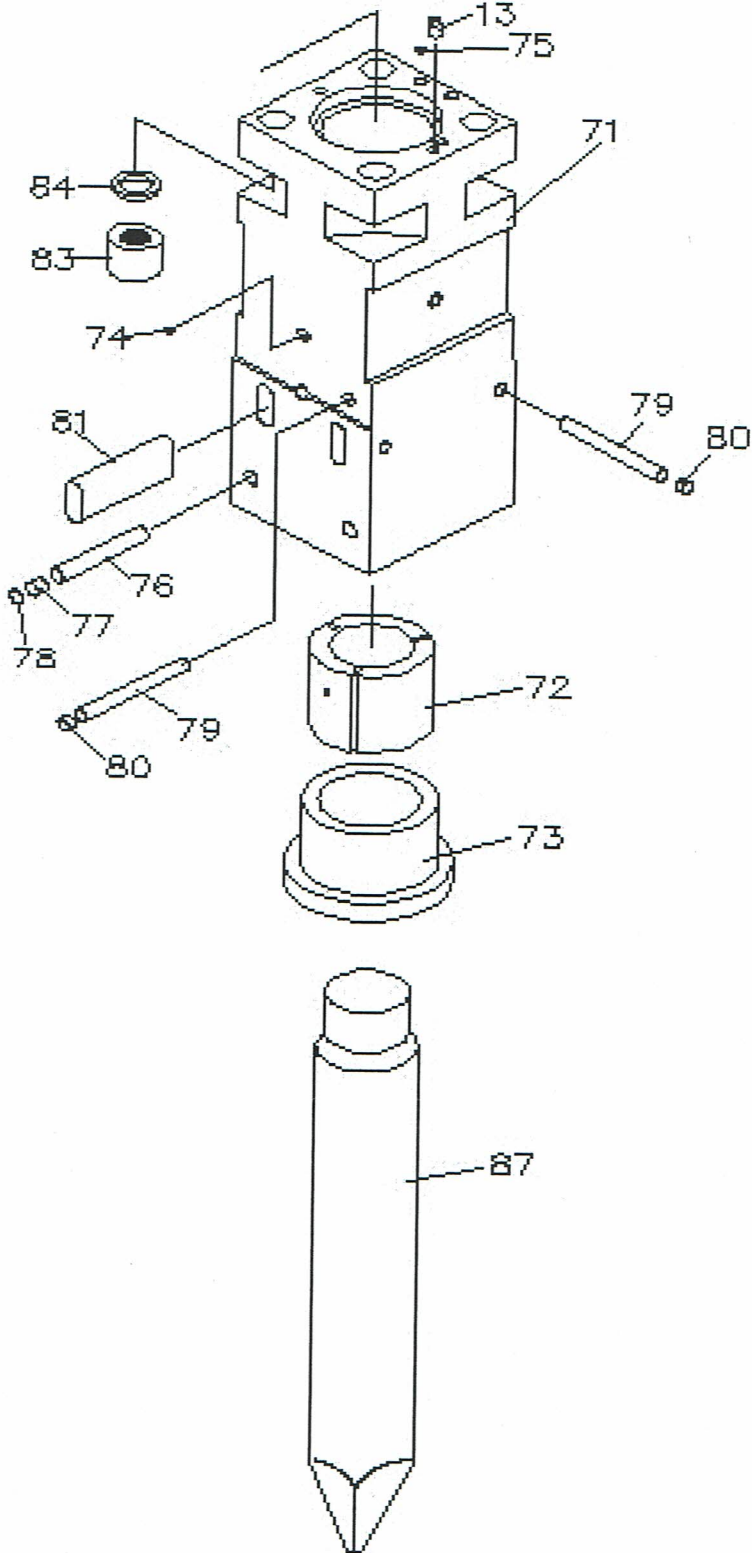
Model : UB - 319



NO	Part No.	Part name	Q'ty	Remarks
	319CY01000	Cylinder ass'y	1	
1	319CY01010	Cylinder	1	
2	319CY01020	M30 heli-coil	4	
3	319CY01030	M30 heli-coil	10	
4	319CY01040	U-packing	2	
5	319CY01050	Buffer ring	2	
6	319CY01060	Dust seal	1	
7	319CY01070	Seal retainer	1	
8	319CY01080	Slide packing	2	
9	319CY01090	O-ring	2	
10	319CY01100	Seal-ring	1	
11	319CY01110	O-ring※	4	1BG 220
12	319CY01120	Back up ring※	3	G220 ENDLESS
13	319CY01130	Knock pin※	4	
14	319CY01140	O-ring※	4	1PB 40
15	319CY01150	Teflon bushing ※	2	φ 35X46X28
16	319CY01160	Cylinder adjuster※	1	
17	319CY01170	Adjuster nut※	1	
18	319CY01180	O-ring※	1	1PB12
19	319CY01190	Back up ring※	1	P 12 ENDLESS
20	319CY01200	1/4 socket plug※	4	φ 19x5t
21	319CY01210	O-ring※	4	1BP11
22	319CY01220	M27 socket plug	1	
23	319CY01230	O-ring	1	1BP24
24	319CY01240	1 1/4 Socket plug	1	
25	319CY01250	O-ring	1	1BP38
26	319CY01260	Piston	1	
	319VV02000	Valve ass'y	1	
27	319VV02010	Valve	1	
28	319VV02020	Valve housing	1	
29	319VV02030	O-ring	1	1BP 102
30	319VV02040	Back up ring	1	P102 ENDLESS
31	319VV02050	Valve cover	1	
32	319VV02060	O-ring	2	1BG 25

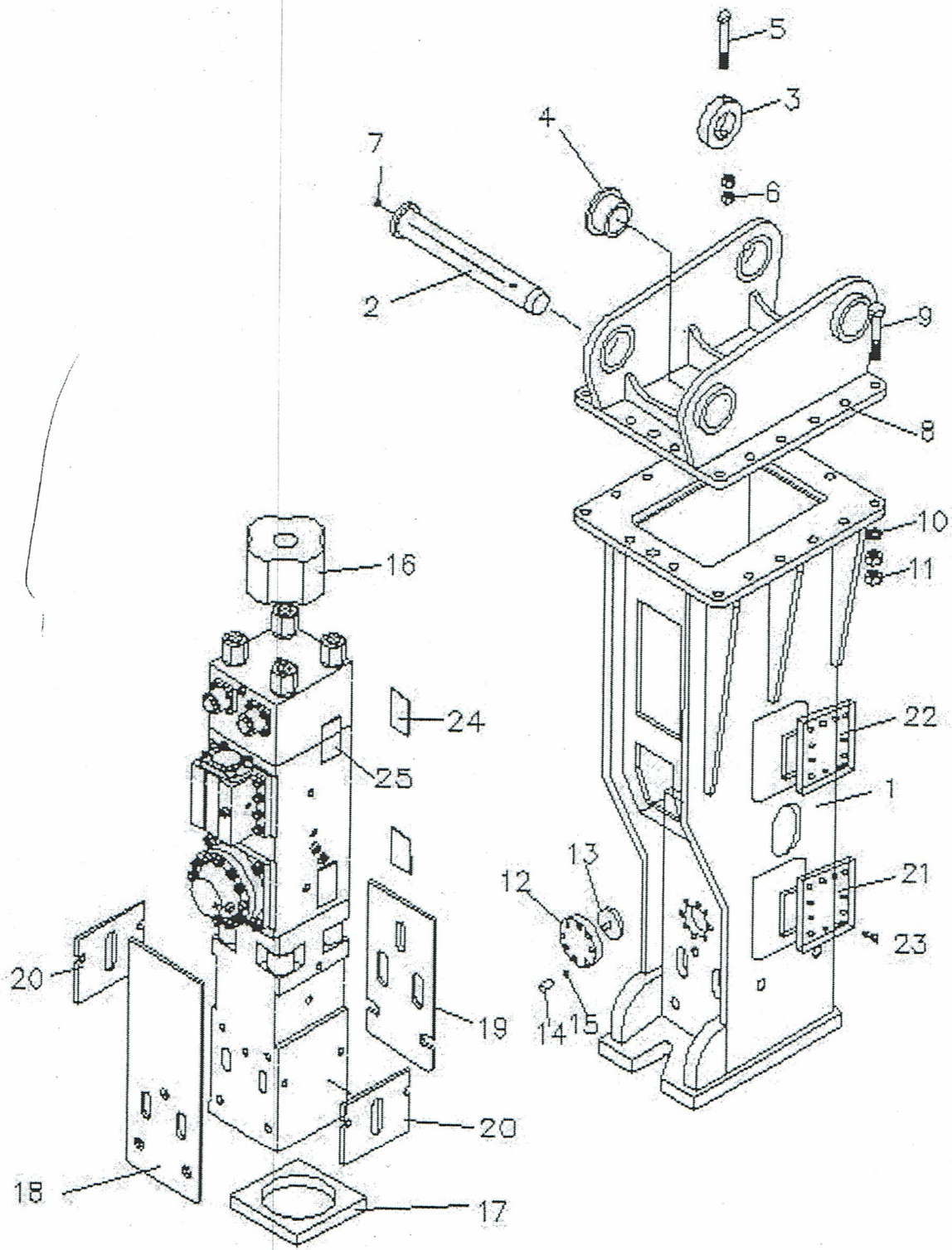
NO	Part No.	Part name	Q'ty	Remarks
33	319VV02070	Backup ring	2	G 25 FLANGE
34	319VV02080	O-ring	1	1BG 35
35	319VV02090	O-ring	4	1BG 50
36	319VV02100	Backup ring	4	G 50 FLANGE
37	319VV02110	O-ring	1	1BG 30
38				
39	319VV02120	Valve adjuster	1	
40	319VV02130	Adjuster nut	1	
41	319VV02140	O-ring	1	1PB 12
42	319VV02150	Back up ring	1	P12 ENDLESS
43	319VV02160	1 socket plug	1	
44	319VV02170	O-ring	1	1BP 29
45	319VV02180	1/4 socket plug	2	
46	319VV02190	O-ring	2	1BP 11
47	319VV02200	Hollow plug	1	PT1/2"
48	319VV02210	Valve cover bolt	8	M20 * P2.5 * L50
49	319VV02220	Valve housing bolt	10	M24 * P3.0 * L70
	319AC03000	Accumulator ass'y	1	
50	319AC03010	Accumulator cover	1	
51	319AC03020	Accumulator body	1	
52	319AC03030	Diaphragm*	1	
53	319AC03040	Holder ass'y*	1	
54	319AC03050	Charging valve*	1	
55	319AC03060	Charging valve cap*	1	
56	319AC03070	O-ring*	1	1PB 5
57	319AC03080	O-ring*	2	1BP 14
58	319AC03090	Accumulator plug*	1	
59	319AC03100	Acc. Body bolt	8	M30 * P3.5 * L90
60	319AC03110	Acc. cover bolt	18	M20 * P2.5 * L60
61	319AC03120	O-ring*	1	1BP 100
62	319AC03130	Back up ring*	1	P100 FLANGE
	319BH04000	Back head ass'y	1	
63	319BH04010	Back head	1	
64	319BH04020	Flange adapter	4	

Model : UB - 319



NO	Part No.	Part name	Q'ty	Remarks
65	319BH04030	Socket bolt	8	M20 * P2.5 * L60
66	319BH04040	O-ring※	2	1BP 38
67	319BH04050	Hose※	2	1 1/4" 4X3500
68	319BH04060	B/Head charging V/V SET※	1	
69	319BH04070	Grease Line	1	
70	319BH04080	Air plug ass'y※	1	
	319FH05000	Front head ass'y	1	
71	319FH05010	Front head	1	
72	319FH05020	Thrust bushing※	1	
73	319FH05030	Front head cover※	1	
74	319FH05040	Grease nipple※	2	Grease nipple
75	319FH05050	O-ring※	2	1BP 16
76	319FH05060	Front head cover pin※	2	φ 30*225
77	319FH05070	Rubber plug※	2	φ 30
78	319FH05080	Spring pin※	2	5T*40
79	319FH05090	Stop pin※	2	φ 20*278
80	319FH05100	Rubber plug※	2	φ 20
81	319FH05110	Rod pin※	2	
	319TB06000	Through bolt ass'y	4	
82	319TB06010	Through bolt	4	
83	319TB06020	Round nut	4	
84	319TB06030	Through bolt washer A	4	
85	319TB06040	Hexagonal nut	4	
86	319TB06050	Through bolt washer B	4	
87	319RR07000	Rod (w) ※	1	
	319RR07001	Rod (F)		
	319RR07002	Rod (M)		
	319RR07003	Rod (C)		
	319SL00000	Seal kit	1	

2.1 CRADLE TYPE BRACKET (BOX TYPE)



No.	Part No.	Part Name	Q'ty	Remarks
	319BC0000	Bracket ass'y	1	
1	319BC0001	Bracket, main	1	
2	319BC0002	Bracket pin	2	
3	319BC0003	Bracket stop ring	2	
4	319BC0004	Bracket bush	4	
5	319BC0005	Stopping bolt	2	
6	319BC0006	Stopping Nut	4	
7	319BC0007	Grease nipple	4	
8	319BC0008	Damper※	2	
9	319BC0009	Damper cover※	2	
10	319BC0010	Damper cover bolt※	16	M24 * P3 * L60
11	319BC0011	Spring washer※	16	5.9t
12	319BC0012	Mounting cap※	1	
13	319BC0013	Mounting cap bolt※	16	M36 * P4 * L150
14	319BC0014	Spring washer※	16	9t
15	319BC0015	Mounting cap nut※	32	M36 * P4 * 29t
16	319BC0016	Top damper	1	
✓ 17	319BC0017	Bottom damper※	1	
18	319BC0018	Front damper	1	
19	319BC0019	Rear damper	1	
20	319BC0020	Side damper	2	
✓ 21	319BC0026	Side damper (A) ※	2	20T
✓ 22	319BC0027	Side damper (B) ※	2	10T
✓ 23	319BC0028	Side damper bolt※	48	M20 * P2.5 * L30
✓ 24	319BC0029	Urethane Pad (3) ※	2	15T
✓ 25	319BC0030	Urethane Pad (1) ※	4	25T