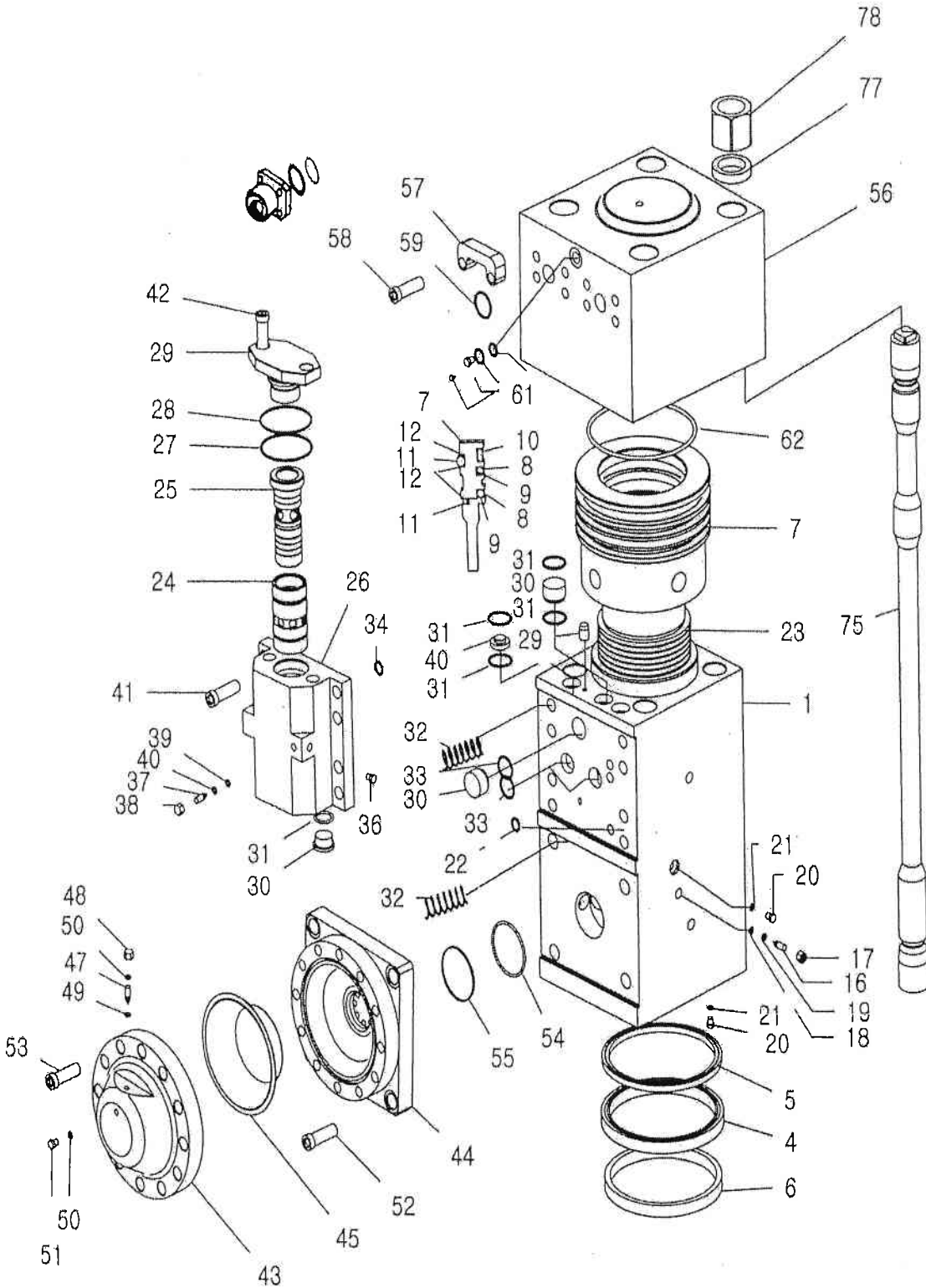


# 1.1 MAIN BODY ASSEMBLY

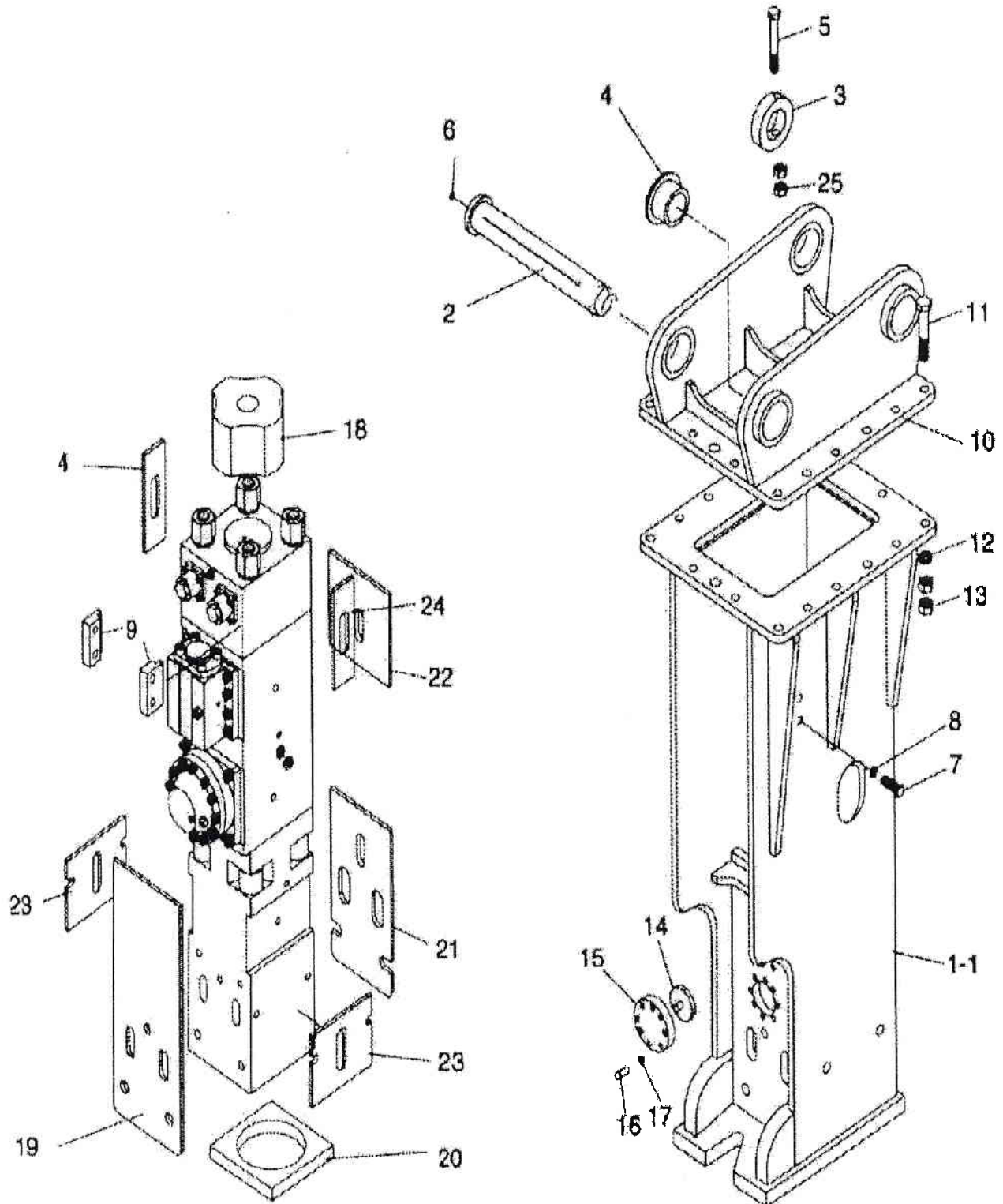
Model : UB-312



NO	Part No.	Part name	Q'ty	Remarks
	312CY0100	Cylinder assembly	1	
1	312CY0101	Cylinder	1	
2	312CY0102	M24 heli-coil	4	P3 * D1.5
3	312CY0103	M20 heli-coil	8	P2.5 * D1.5
4	312CY0104	U-packing	1	IDI 140 * 150 * 6
5	312CY0105	Buffer ring	1	HBV 140 * 155.5 * 5.8
6	312CY0106	Dust seal	1	LPI 140 * 155 * 6.5 * 10.3
7	312CY0107	Seal retainer	1	
8	312CY0108	Slide packing	2	135 * 150.1 * 6.3
9	312CY0109	O-ring	2	
10	312CY0110	Seal ring	1	Q135
11	312CY0111	O-ring	2	1BG 165
12	312CY0112	Backup ring	3	G 165 ENDLESS
13	312CY0113	Knock pin	2	
14	312CY0114	O-ring	6	1BP 29
15	312CY0115	Teflon bushing	2	φ 35 * 26
16	312CY0116	Cylinder adjuster	1	
17	312CY0117	Adjust nut	1	
18	312CY0118	O-ring	1	1BP 12
19	312CY0119	Backup-ring	1	P 12 ENDLESS
20	312CY0120	Socket plug	4	PF 1/4"
21	312CY0121	O-ring	4	1BP 11
22	312CY0122	Teflon plug	1	φ 35 * 9.5
23	312CY0123	Piston	1	
	312VV0312	Valve assembly	1	
24	312VV0201	Valve	1	
25	312VV0202	Valve plug	1	
26	312VV0203	Valve housing	1	
27	312VV0204	O-ring	1	1BG 60
28	312VV0205	Backup-ring	1	G 60 ENDLESS
29	312VV0206	Valve cover	1	
30	312VV0207	Valve housing plug	1	PF 1"
31	312VV0208	O-ring	2	1BP 29
32	312VV0209	O-ring	2	1BP 30

NO	Part No.	Part name	Q'ty	Remarks
33	312VV0210	O-ring	2	1BP 40
34	312VV0211	O-ring	2	1BP 45
35	312VV0212	Backup-ring	1	G 45 FLANGE
36	312VV0213	Hollow plug	1	
37	312VV0214	Valve adjuster	1	
38	312VV0215	Adjuster nut	1	
39	312VV0216	O-ring	1	1BP 14
40	312VV0217	Backup-ring	1	P 14 ENDLESS
41	312VV0218	Housing bolt	8	M20 * P2.5 * L50
42	312VV0219	Valve cover bolt	2	M24 * P2 * L55
	312AC0300	Accumulator ass'y	1	
43	312AC0301	Accumulator cover	1	
44	312AC0302	Accumulator body	1	
45	312AC0303	Diaphragm	1	
46	312AC0304	Holder ass'y	1	
47	312AC0305	Charging valve	1	
48	312AC0306	Charging valve cap	1	
49	312AC0307	O-ring	1	1BP 5
50	312AC0308	O-ring	2	1BP 14
51	312AC0309	Accumulator plug	1	
52	312AC0312	Acc. body bolt	4	M24 * P3 * L55
53	312AC0311	Acc. Cover bolt	12	M20 * P2.5 * L50
54	312AC0312	O-ring	1	1BP 95
55	312AC0313	Backup ring	1	P 95 FLANGE
	312BH0400	Back head ass'y	1	
56	312BH0401	Back head	1	
57	312BH0402	Flange adapter	4	
58	312BH0403	Socket bolt	8	
59	312BH0404	O-ring	2	
60	312BH0405			
61	312BH0406	B/H charging valve set	1	
62	312BH0407	O-ring	1	1BG 200

## 2.1 CRADLE TYPE BRACKET (BOX TYPE)



No.	Part No.	Part Name	Q'ty	Remarks
	312BC0000	Bracket ass'y	1	
1	312BC0001	Bracket, main	1	
2	312BC0002	Bracket pin	2	
3	312BC0003	Bracket stop ring	2	
4	312BC0004	Bracket bush	4	
5	312BC0005	Stopping bolt	2	
6	312BC0006	Grease nipple	4	
7	312BC0007	Spacer bolt	4	M24 * P3 * L55
8	312BC0008	Spring washer	4	5.9t
9	312BC0009	Spacer	2	
10	312BC0010	Mounting cap	1	
11	312BC0011	Mounting cap bolt	16	M24 * P3 * P110
12	312BC0012	Spring washer	16	5.9t
13	312BC0013	Mounting cap nut	32	M24 * P3 * 19t
14	312BC0014	Damper	1	
15	312BC0015	Damper cover	1	
16	312BC0016	Damper cover bolt	8	M20 * P2.5 * L50
17	312BC0017	Spring washer	8	5.1t
18	312BC0018	Top damper	1	
18-1	312BC0018-1	Top damper	-	
18-2	312BC0018-2	Top damper	-	
19	312BC0019	Front damper	1	
20	312BC0020	Bottom damper	1	
21	312BC0021	Rear damper(1)	1	
22	312BC0022	Rear damper(2)	1	
23	312BC0023	Side damper(1)	2	
24	312BC0024	Side damper(2)	2	
25	312BC0025	Stopping nut	4	