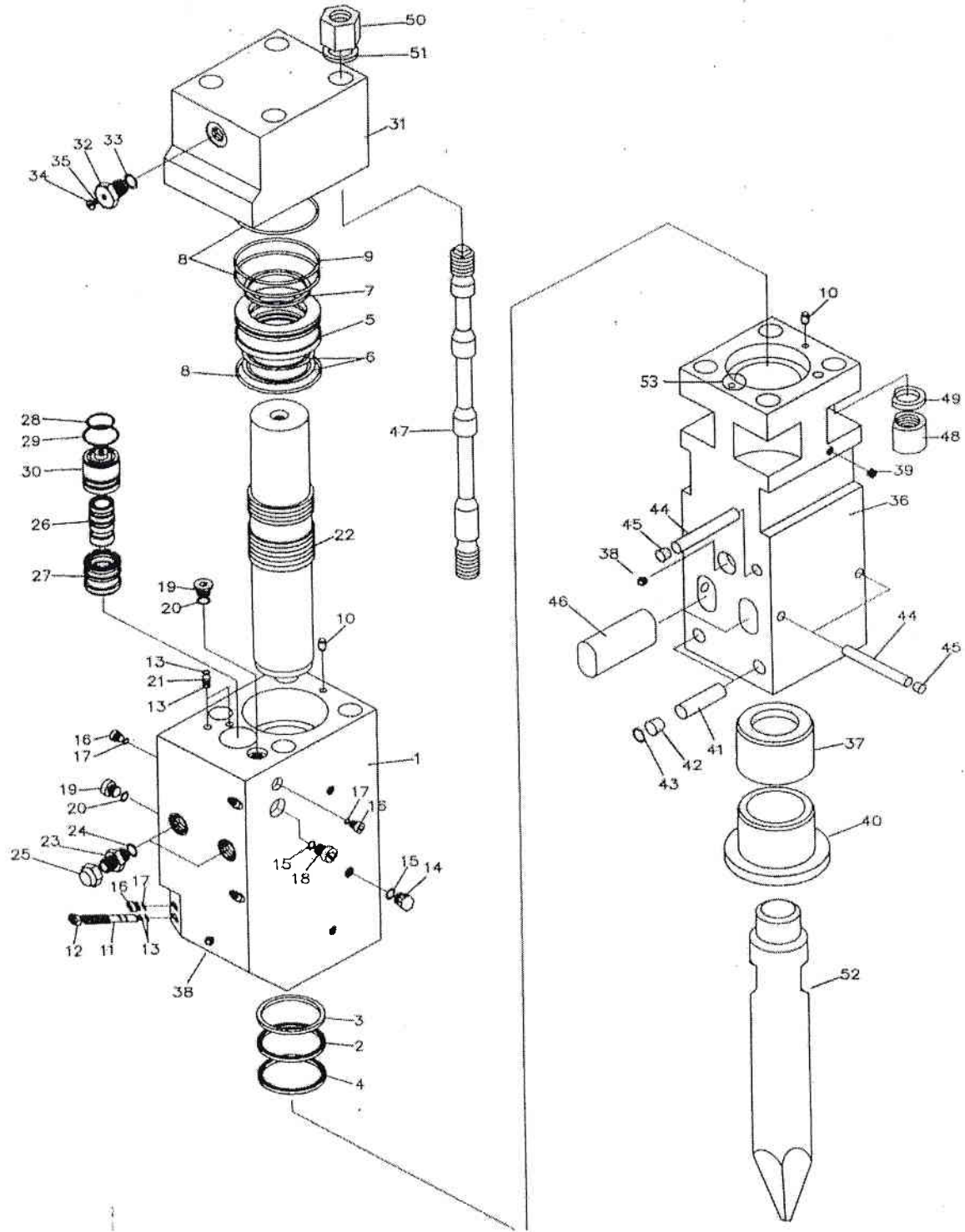


1.1 MAIN BODY ASSEMBLY

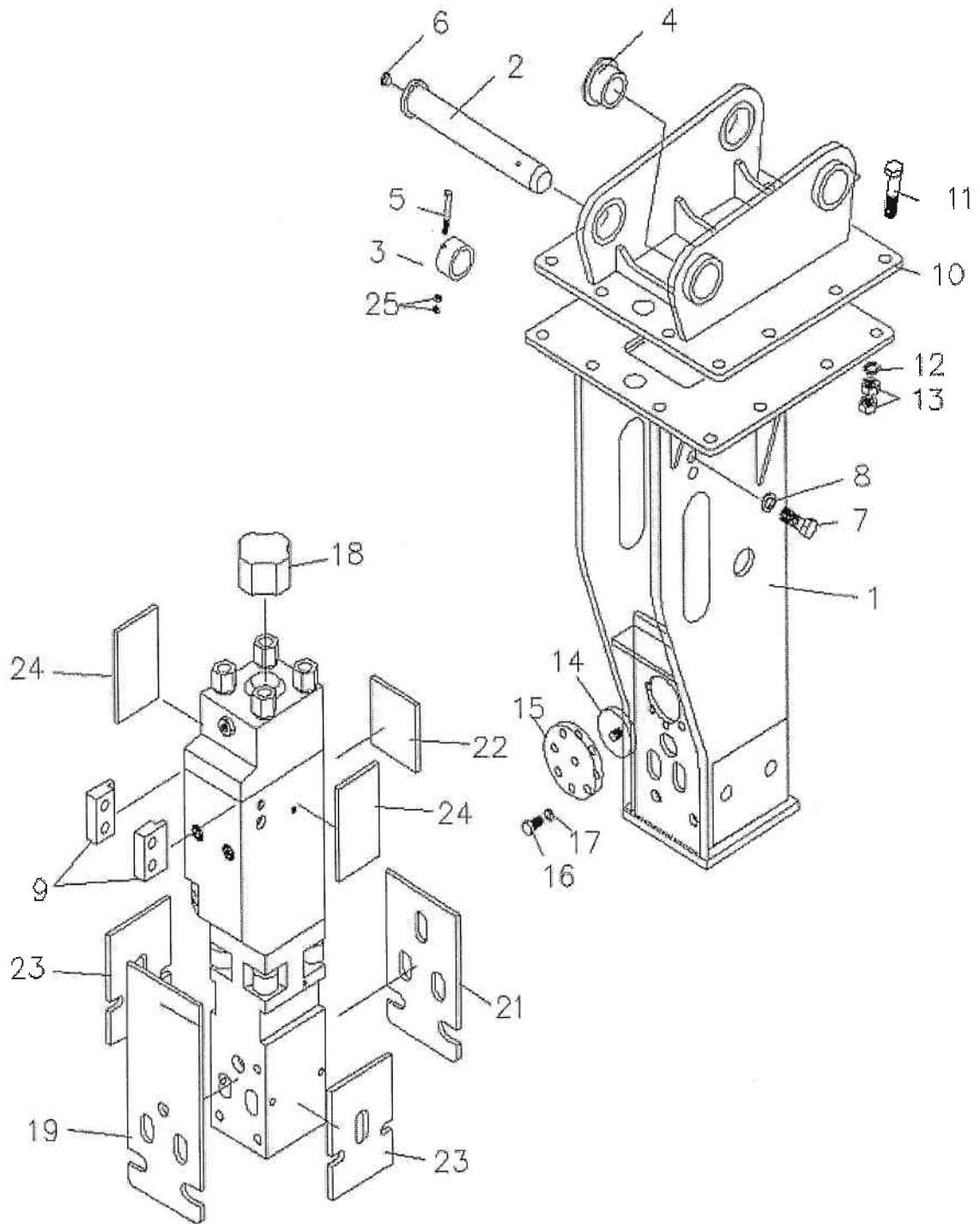
Model : UB-311



NO	Part No.	Part name	Q'ty	Remarks
	311CY01000	Cylinder ass'y	1	
1	311CY01010	Cylinder	1	
2	311CY01020	U-packing	1	ISI 125
3	311CY01030	Buffer ring	1	HBV 125
4	311CY01040	Dust seal	1	DSI 125
5	311CY01050	Seal retainer	1	
6	311CY01060	Slide-packing	2	φ 122
	311CY01061	O-ring	2	
7	311CY01070	Seal-ring	1	Q122
8	311CY01080	O-ring	3	1BP 145
9	311CY01090	Back up ring	2	P145 ENDLESS
10	311CY01100	Knock pin	2	
11	311CY01110	Cylinder adjuster	1	
12	311CY01120	Adjuster nut	1	
13	311CY01130	O-ring	6	1BP 8
14	311CY01140	Air plug	1	
15	311CY01150	O-ring	2	IBP 14
16	311CY01160	1/4" Socket plug	5	
17	311CY01170	O-ring	5	1BP 11
18	311CY01180	3/8" Socket plug	1	
19	311CY01190	M24 Socket plug	2	
20	311CY01200	O-ring	2	1BP 22
21	311CY01210	Teflon plug	2	
22	311CY01220	Piston	1	
23	311CY01230	Adapter	2	PF 3/4" x 1"
24	311CY01240	O-ring	2	1BP 24
25	311CY01250	Union cap	1	1" x #4
	311VV02000	Valve ass'y	1	
26	311VV02010	Valve	1	
27	311VV02020	Sleeve	1	
28	311VV02030	O-ring	1	1BG 45
29	311VV02040	O-ring	1	1BP 62
30	311VV02050	Valve cover	1	

NO	Part No.	Part name	Q'ty	Remarks
	311BH04000	Back head ass'y	1	
31	311BH04010	Back head	1	
	311BH04020	B/Head charging V/V SET	1	
32	311BH04021	B/H charging valve	1	
33	311BH04022	O-ring	1	1BP 6
34	311BH04023	Charging valve cap	1	
35	311BH04024	O-ring	1	1BP 18
	311FH05000	Front head ass'y	1	
36	311FH05010	Front head	1	
37	311FH05020	Thrust bushing	1	
38	311FH05030	Grease nipple	2	
39	311FH05040	Hollow plug	2	
40	311FH05050	Front head cover	1	
41	311FH05060	Front head cover pin	2	
42	311FH05070	Rubber plug	2	
43	311FH05080	Spring pin	2	
44	311FH05090	Stop pin	3	
45	311FH05100	Rubber plug	3	
46	311FH05110	Rod pin	2	
	311TB06000	Through bolt ass'y	4	
47	311TB06010	Through bolt	4	
48	311TB06020	Round nut	4	
49	311TB06030	Through bolt washer A	4	
50	311TB06040	Hexagonal nut	4	
51	311TB06050	Through bolt washer B	4	
52	311TB07000	Rod (w)	1	
	311TB07001	Rod (F)		
	311TB07002	Rod (M)		
	311TB07003	Rod (C)		
53	311FH05120	O-ring	1	

2.1 BOX TYPE BRACKET



No.	Part No.	Part Name	Q'ty	Remarks
	311BB00000	Bracket assy	1	
1	311BB00010	Bracket, main	1	
2	311BB00020	Bracket, pln	2	
3	311BB00030	Bracket stop ring	2	
4	311BB00040	Bracket bush	4	
5	311BB00050	Stopping bolt	2	
6	311BB00060	Grease nipple	2	
7	311BB00070	Spacer bolt	4	M24 * P3 * L45
8	311BB00080	Spring washer	4	5.9t
9	311BB00090	Spacer	2	
10	311BB00100	Mounting cap	1	
11	311BB00110	Mounting cap bolt	12	M20 * P2.5 * L80
12	311BB00120	Spring washer	12	5.1t
13	311BB00130	Mounting cap nut	24	M20 * P2.5 * 16t
14	311BB00140	Damper	1	
15	311BB00150	Damper cover	1	
16	311BB00160	Damper cover bolt	8	M16 * P2 * L40
17	311BB00170	Spring washer	8	4t
18	311BB00180	Top damper	1	
19	311BB00190	Front damper	1	
21	311BC00210	Rear damper(1)	1	
22	311BC00260	Urethan pad (3)	2	15t
23	311BC00230	Side damper(1)	2	
24	311BC00260	Urethan pad (3)	2	
25	311BC00250	Stopping nut	4	

