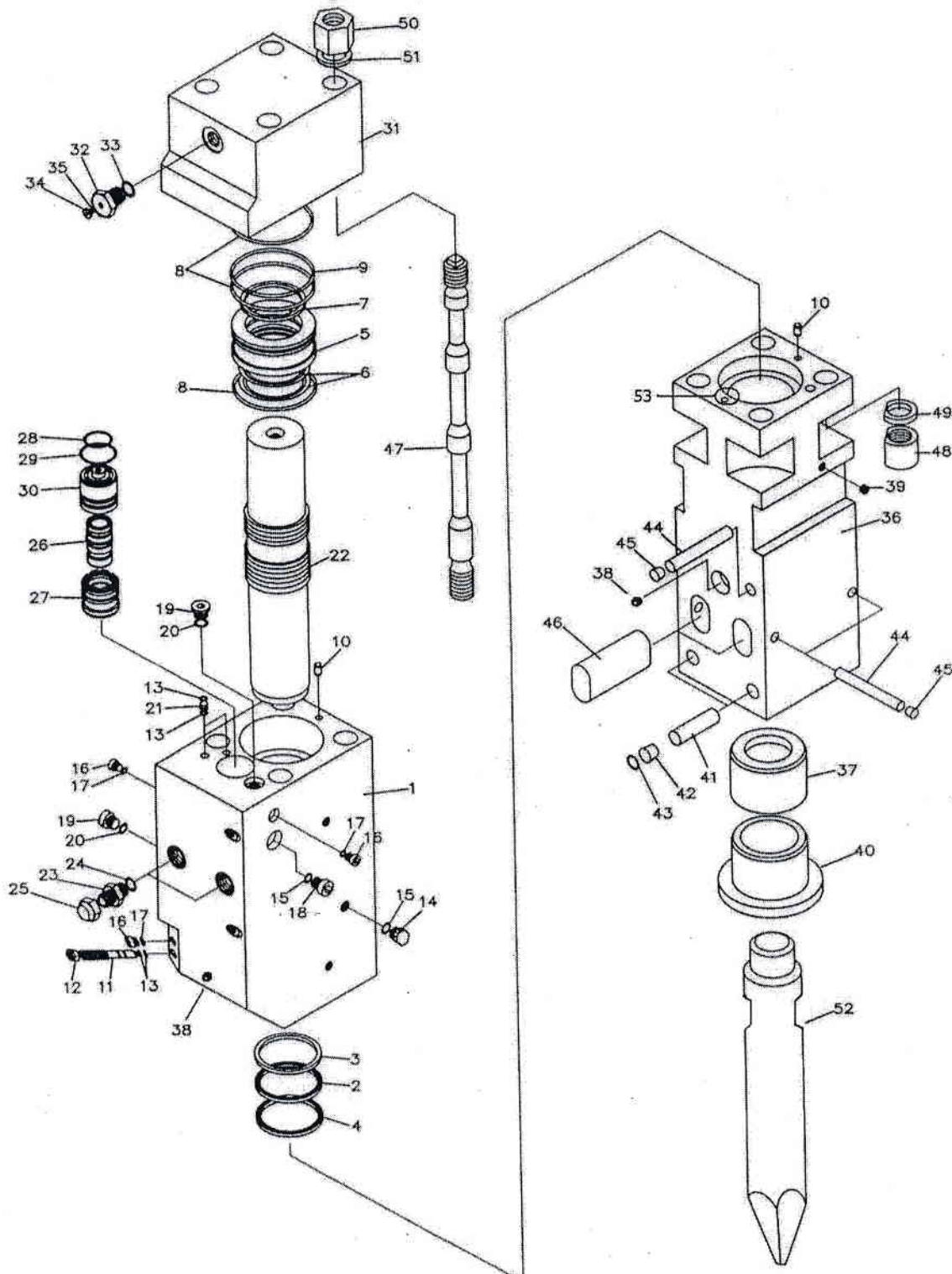


1.1 MAIN BODY ASSEMBLY

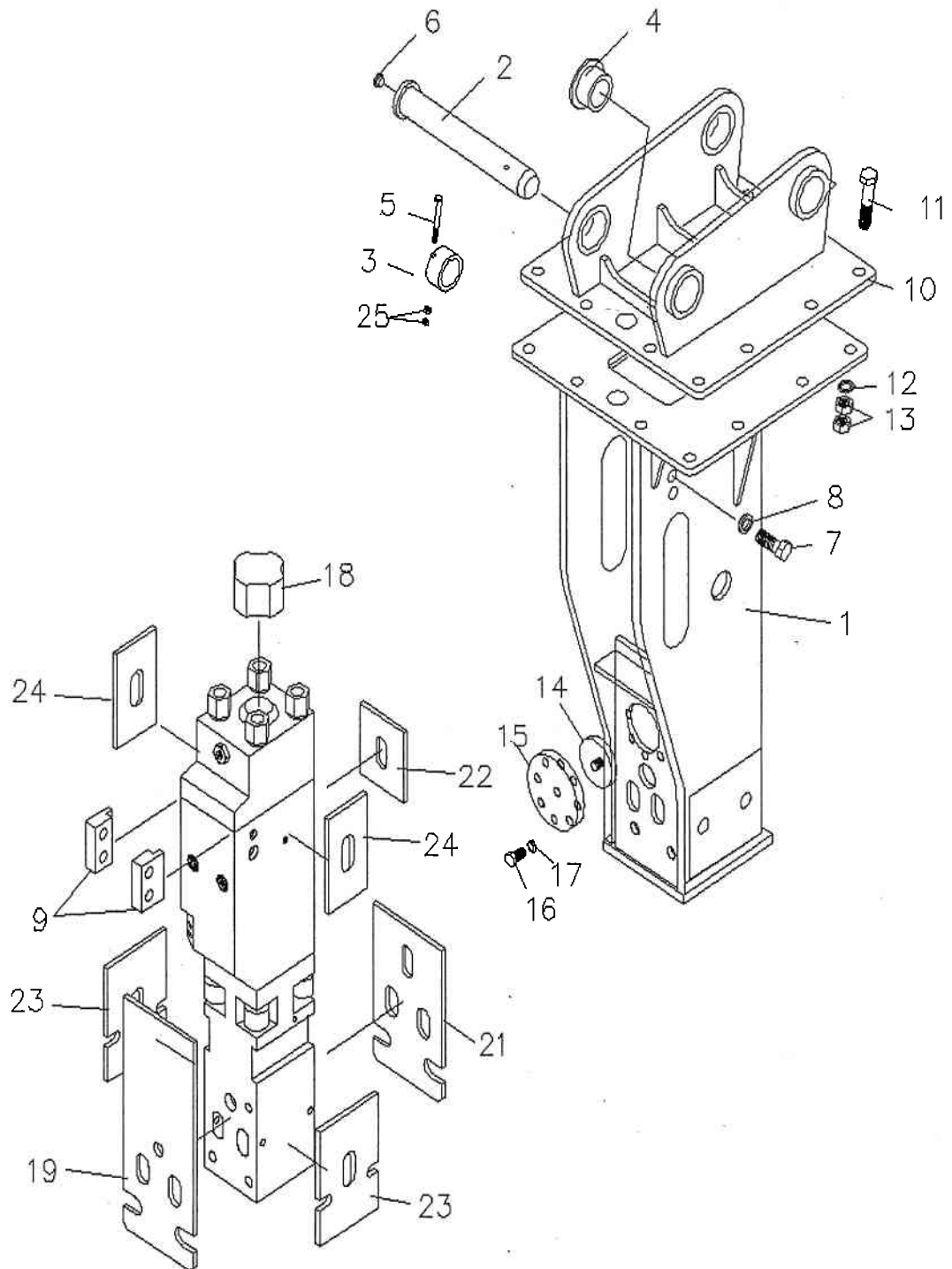
Model : UB-308



NO	Part No.	Part name	Q'ty	Remarks
	308CY0100	Cylinder ass'y	1	
1	308CY0101	Cylinder	1	
2	308CY0102	U-packing	1	ISI 102 * 115 * 9
3	308CY0103	Buffer ring	1	HBV 102 * 115.5 * 6
4	308CY0104	Dust seal	1	DSI 102 * 110 * 6 * 8
5	308CY0105	Seal retainer	1	
6	308CY0106	Slide-packing	2	HBT 98 * 113.5 * 5.9
	308CY0106-1	O-ring	2	
7	308CY0107	Seal-ring	1	Q 98
8	308CY0108	O-ring	3	1BG 135
9	308CY0109	Back up ring	1	G 135 ENDLESS
10	308CY0110	Knock pin	2	
11	308CY0111	Cylinder adjuster	1	
12	308CY0112	Adjuster nut	1	
13	308CY0113	O-ring	6	1BP 8
14	308CY0114	Air plug	1	
15	308CY0115	O-ring	2	1BP 14
16	308CY0116	1/4" Socket plug	5	
17	308CY0117	O-ring	5	1BP 11
18	308CY0118	3/8 Socket plug	1	
19	308CY0119	M24 Socket plug	2	
20	308CY0120	O-ring	2	1BP 22
21	308CY0121	Teflon plug	2	φ 11 * 12.7
22	308CY0122	Piston	1	
23	308CY0123	Adapter	2	
24	308CY0124	O-ring	2	1BP 24
25	308CY0125	Union cap	2	
	308VV0200	Valve ass'y	1	
26	308VV0201	Valve	1	
27	308VV0202	Sleeve	1	
28	308VV0203	O-ring	1	1BG 40
29	308VV0204	O-ring	1	1BP 52
30	308VV0205	Valve cover	1	
	308BH0300	Back head ass'y	1	
31	308BH0301	Back head	1	

NO	Part No.	Part name	Q'ty	Remarks
32	308BH0302	B/H charging valve	1	
33	308BH0303	O-ring	1	1BP 18
34	308BH0304	Charging valve cap	1	
35	308BH0305	O-ring	1	1BP 6
	308FH0400	Front head ass'y	1	
36	308FH0401	Front head	1	
37	308FH0402	Thrust bush	1	
38	308FH0403	Grease nipple	2	
39	308FH0404	Hollow plug	1	
40	308FH0405	Front cover	1	
41	308FH0406	Front cover pin	2	φ 26 * L183
42	308FH0407	Rubber plug	2	
43	308FH0408	Snap ring	2	
44	308FH0409	Stop pin	3	φ 18 * L175
45	308FH0410	Rubber plug	3	
46	308FH0411	Rod pin	2	
	308TB0500	Through bolt ass'y	4	
47	308TB0501	Through bolt	4	
48	308TB0502	Through bolt nut	4	
49	308TB0503	Through bolt washer A	4	
50	308TB0504	Hexagonal nut	4	
51	308TB0505	Through bolt washer B	4	
52	308RR0600	Rod (w)	1	
	308RR0601	Rod (F)		
	308RR0602	Rod (M)		
	308RR0603	Rod (C)		
53	308FH0412	O-ring	1	AS 568 #124
	308SL0000	Seal kit	1	
	308TL0000	Tool set	1	
	GC00000	GAS CHARGING KIT	1	
	GS00001	Sticker 2 (GREESE)	1	

2.1 BOX TYPE BRACKET



NO	Part No.	Part name	Q'ty	Remarks
32	308BH0302	B/H charging valve	1	
33	308BH0303	O-ring	1	1BP 18
34	308BH0304	Charging valve cap	1	
35	308BH0305	O-ring	1	1BP 6
	308FH0400	Front head ass'y	1	
36	308FH0401	Front head	1	
37	308FH0402	Thrust bush	1	
38	308FH0403	Grease nipple	2	
39	308FH0404	Hollow plug	1	
40	308FH0405	Front cover	1	
41	308FH0406	Front cover pin	2	φ 26 * L183
42	308FH0407	Rubber plug	2	
43	308FH0408	Snap ring	2	
44	308FH0409	Stop pin	3	φ 18 * L175
45	308FH0410	Rubber plug	3	
46	308FH0411	Rod pin	2	
	308TB0500	Through bolt ass'y	4	
47	308TB0501	Through bolt	4	
48	308TB0502	Through bolt nut	4	
49	308TB0503	Through bolt washer A	4	
50	308TB0504	Hexagonal nut	4	
51	308TB0505	Through bolt washer B	4	
52	308RR0600	Rod (w)	1	
	308RR0601	Rod (F)		
	308RR0602	Rod (M)		
	308RR0603	Rod (C)		
53	308FH0412	O-ring	1	AS 568 #124
	308SL0000	Seal kit	1	
	308TL0000	Tool set	1	
	GC00000	GAS CHARGING KIT	1	
	GS00001	Sticker 2 (GREESE)	1	