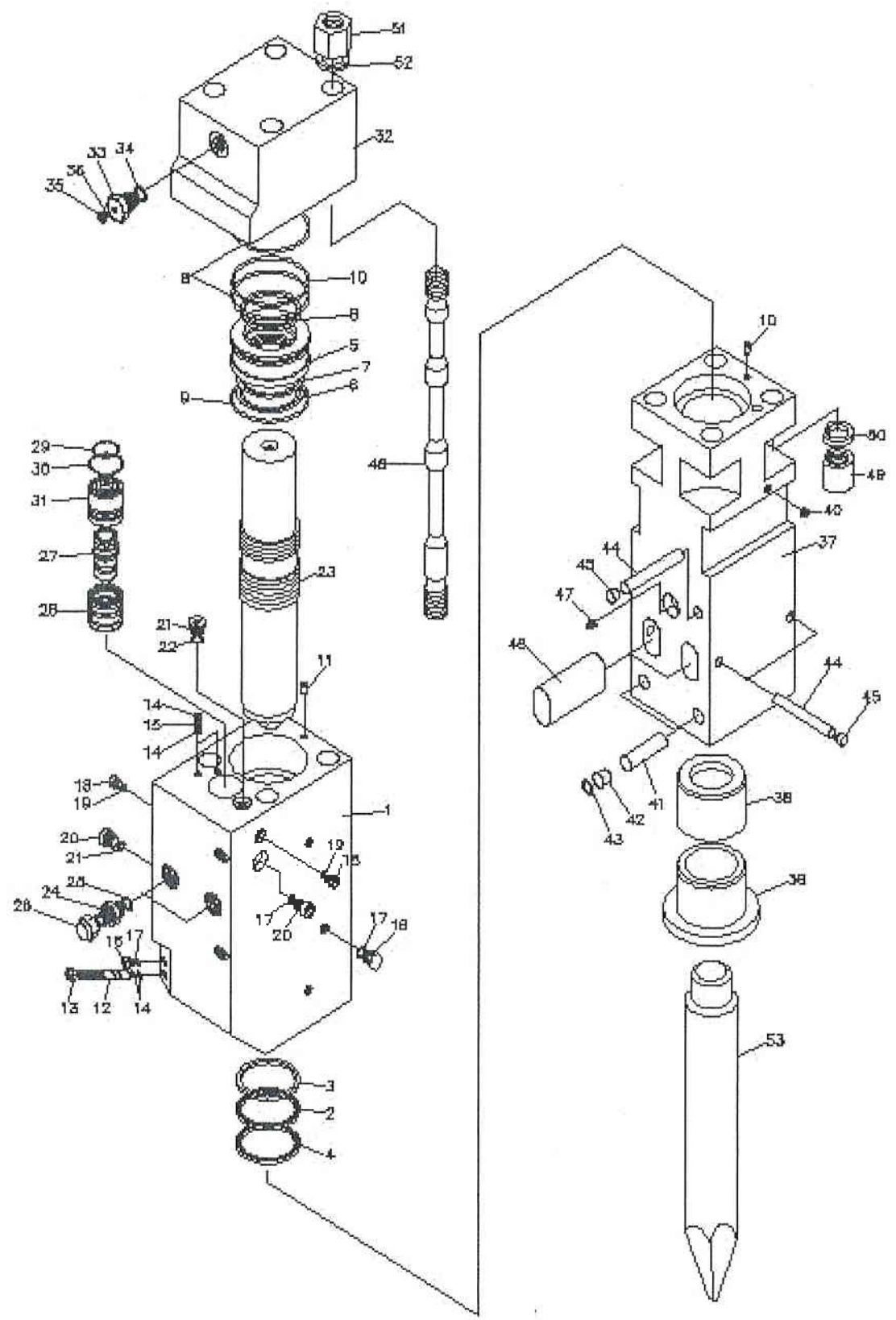


# 1.1 MAIN BODY ASSEMBLY

Model : UB-307

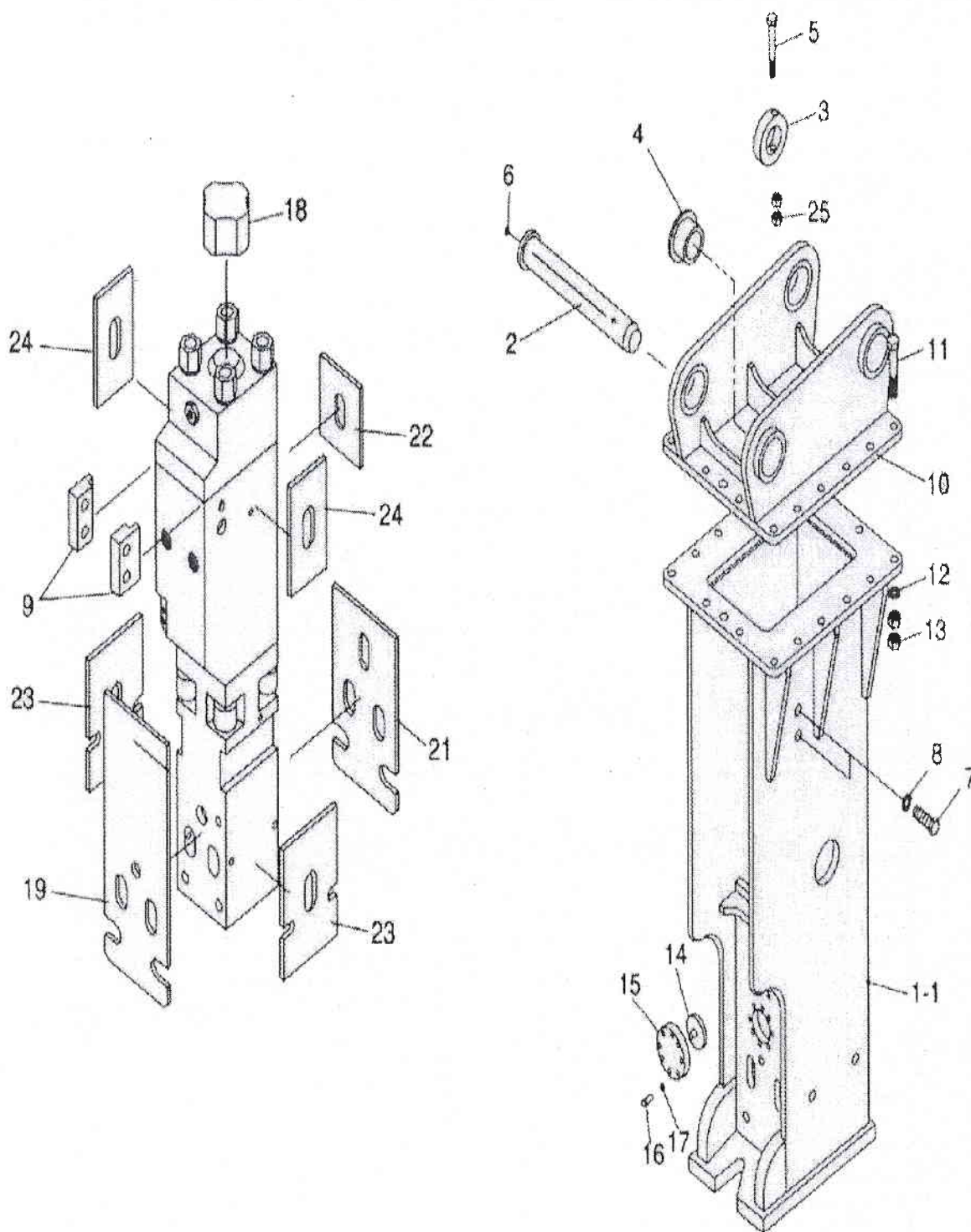


NO	Part No.	Part name	Q'ty	Remarks
	100CY01000	Cylinder ass'y	1	
1	100CY01010	Cylinder	1	
2	100CY01020	U-packing	1	ISI 100 * 115 * 9
3	100CY01030	Buffer ring	1	HBY 100 * 115.5 * 6
4	100CY01040	Dust seal	1	DSI 100 * 110 * 6 * 8
5	100CY01050	Seal retainer	1	
6	100CY01060	Slide-packing	2	HBT 98 * 113.5 * 5.9
7	100CY01061	O-ring	2	
8	100CY01070	Seal-ring	1	Q 98
9	100CY01080	O-ring	3	1BG 135
10	100CY01090	Back up ring	1	G 135 ENDLESS
11	100CY01100	Knock pin	2	
12	100CY01110	Cylinder adjuster	1	
13	100CY 01120	Adjuster nut	1	
14	100CY 01130	O-ring	6	1BP 8
15	100CY 01140	Air plug	1	
16	100CY 01150	O-ring	2	1BP 14
17	100CY 01160	1/4 Socket plug	5	
18	100CY 01170	O-ring	5	1BP 11
19	100CY 01180	3/8 Socket plug	1	
20	100CY 01190	M24 Socket plug	2	
21	100CY01200	O-ring	2	1BP 22
22	100CY 01210	Teflon plug	2	φ 11 * 12.7
23	100CY 01220	Piston	1	
24	100CY 01230	Adapter	2	
25	100CY 01240	O-ring	2	1BP 24
26	100CY 01250	Union cap	2	
	100VV02000	Valve ass'y	1	
27	100VV02010	Valve	1	
28	100VV02020	Sleeve	1	
29	100VV02030	O-ring	1	1BG 40
30	100VV02040	O-ring	1	1BP 52
31	100VV02050	Valve cover	1	
	100BH03000	Back head ass'y	1	
32	100BH03010	Back head	1	

NO	Part No.	Part name	Q'ty	Remarks
33	100BH03020	B/H charging valve	1	
34	100BH03030	O-ring	1	1BP 18
35	100BH03040	Charging valve cap	1	
36	100BH03050	O-ring	1	1BP 6
	100FH04000	Front head ass'y	1	
37	100FH04010	Front head	1	
38	100FH04020	Thrust bush	1	
39	100FH04030	Front cover	1	
40	100FH04040	Hollow plug	1	
41	100FH04050	Front cover pin	2	
42	100FH04060	Rubber plug	2	φ 26 * L183
43	100FH04070	Snap ring	2	φ 25
44	100FH04080	Stop pin	3	
45	100FH04090	Rubber plug	3	φ 18 * L175
46	100FH04100	Rod pin	2	φ 18
47	100FH04110	Grease nipple	1	
	100TB05000	Through bolt ass'y	4	
48	100TB05010	Through bolt	4	
49	100TB05020	Through bolt nut	4	
50	30STB05030	Through bolt washer A	4	
51	100TB05040	Hexagonal nut	4	
52	100TB05050	Through bolt washer B	4	
53	100RR06000	Rod (w)	1	
	100RR06001	Rod (F)		
	100RR06002	Rod (M)		
	100RR06003	Rod (C)		
	100SL00000	Seal kit	1	
	100SL00010	Seals, Cylinder	1	
	100SL00020	Seals, Seal retainer	1	
	100SL00030	Seals, Valve ass'y	1	
	100TL00010	Tool set	1	
	100GC00010	Gas charging kit	1	
	100PK00010	Piping kit	1	

## 2.1 BOX TYPE BRACKET

### Bending Type



No.	Part No.	Part Name	Q'ty	Remarks
	307BG0000	Bracket assy	1	
1	307BG0001	Bracket, main	1	
2	307BG0002	Bracket, pin	2	
3	307BG0003	Bracket stop ring	2	
4	307BG0004	Bracket bush	4	
5	307BG0005	Stopping bolt	2	
6	307BG0006	Grease nipple	2	
7	307BG0007	Spacer bolt	4	M24 * P3 * L45
8	307BG0008	Spring washer	4	5.9t
9	307BG0009	Spacer	2	
10	307BG0010	Mounting cap	1	
11	307BG0011	Mounting cap bolt	12	M20 * P2.5 * L80
12	307BG0012	Spring washer	12	5.1t
13	307BG0013	Mounting cap nut	24	M20 * P2.5 * 16t
14	307BG0014	Damper	1	
15	307BG0015	Damper cover	1	
16	307BG0016	Damper cover bolt	8	M16 * P2 * L40
17	307BG0017	Spring washer	8	4t
18	307BG0018	Top damper	1	
19	307BG0019	Front damper	1	
21	307BG0021	Rear damper(1)	1	
22	307BG0022	Rear damper(2)	1	
23	307BG0023	Side damper(1)	2	
24	307BG0024	Side damper(2)	2	
25	307BG0025	Stopping nut	4	