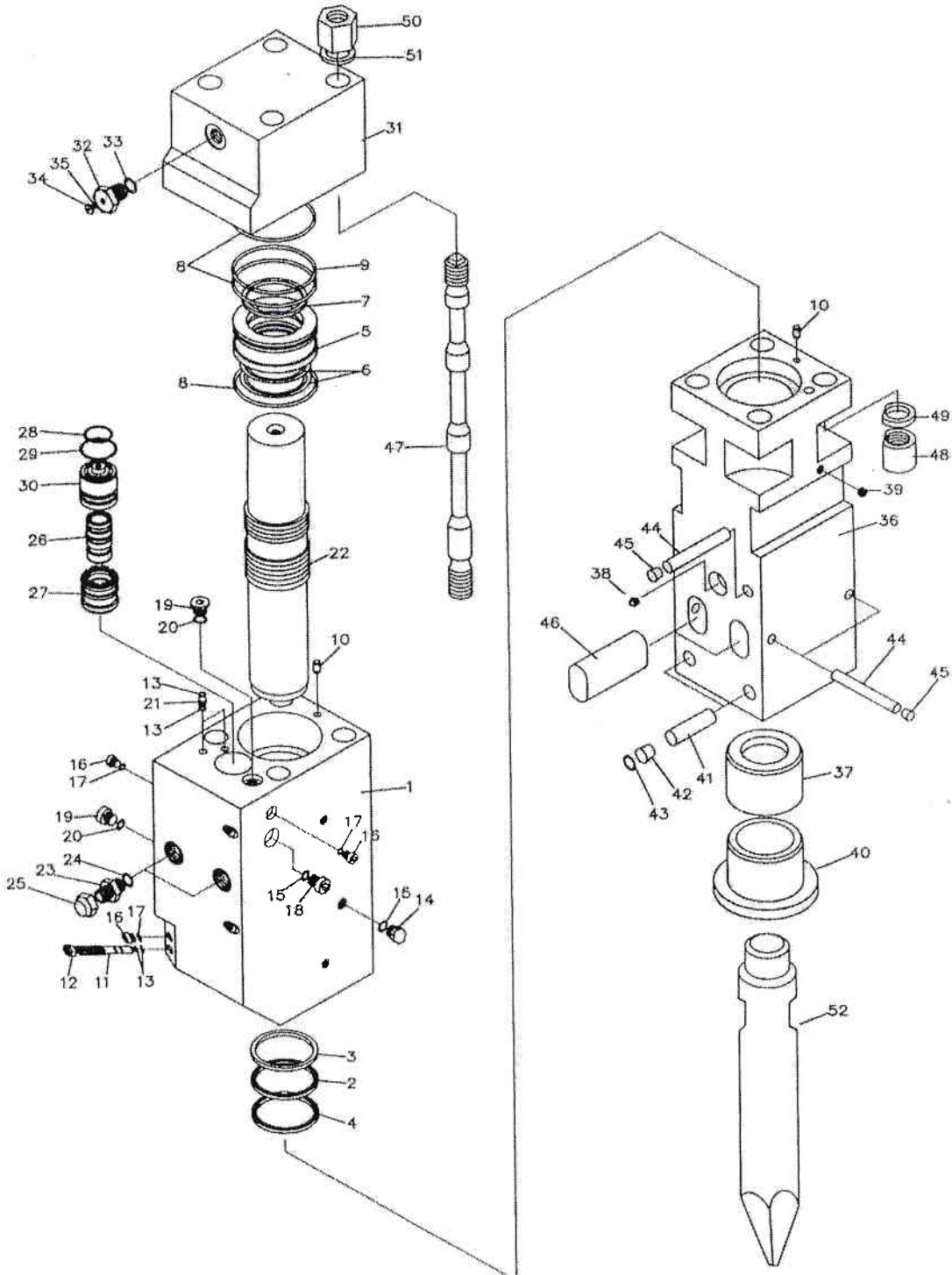


1.1 MAIN BODY ASSEMBLY

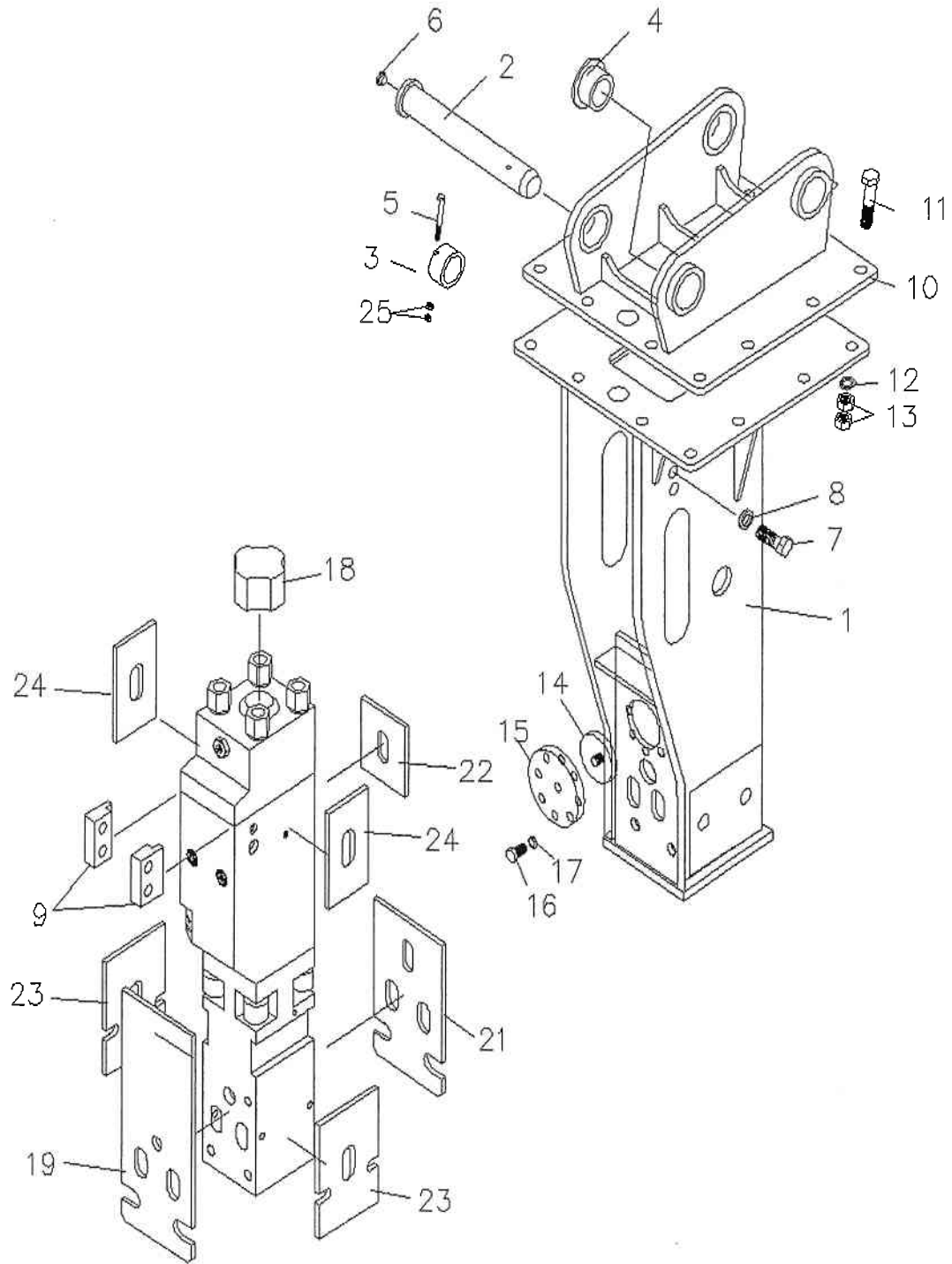
Model : UB-306



NO	Part No.	Part name	Q'ty	Remarks
	306CY0100	Cylinder ass'y	1	
1	306CY0101	Cylinder	1	
2	306CY0102	U-packing	1	ISI 90 * 105 * 9
3	306CY0103	Buffer ring	1	HBV 90 * 105.5 * 8
4	306CY0104	Dust seal	1	DIS 90 * 100 * 8 * 8
5	306CY0105	Seal retainer	1	
6	306CY0106	Slide-packing	2	HBT 88
7	306CY0107	Seal-ring	1	Q 88
8	306CY0108	O-ring	3	1BG 115
10	306CY0110	Knock pin	2	
11	306CY0111	Cylinder adjuster	1	
12	306CY0112	Adjuster nut	1	
13	306CY0113	O-ring	5	1BP 8
14	306CY0114	Air plug	1	
15	306CY0115	O-ring	1	1BP 18
16	306CY0116	1/4" Socket plug	6	
17	306CY0117	O-ring	6	1BP11
19	306CY0119	M24 Socket plug	2	
20	306CY0120	O-ring	2	1BP 22
21	306CY0121	Teflon plug	2	φ 11 * 12.7
22	306CY0122	Piston	1	
23	306CY0123	Adapter	2	
24	306CY0124	O-ring	2	1BP 24
25	306CY0125	Union cap	2	
	306VV0200	Valve ass'y	1	
26	306VV0201	Valve	1	
27	306VV0202	Sleeve	1	
28	306VV0203	O-ring	1	1BG 40
29	306VV0204	O-ring	1	1BG 55
30	306VV0205	Valve cover	1	
	306BH0300	Back head ass'y	1	
31	306BH0301	Back head	1	
32	306BH0302	B/H charging valve	1	
33	306BH0303	O-ring	1	1BP 8

NO	Part No.	Part name	Q'ty	Remarks
34	306BH0304	Charging valve cap	1	
35	306BH0305	O-ring	1	
	306FH0400	Front head ass'y	1	
36	306FH0401	Front head	1	
37	306FH0402	Thrust bush	1	
38	306FH0403	Grease nipple	2	
39	306FH0404	Hollow plug	1	
40	306FH0405	Front cover	1	
41	306FH0406	Front cover pin	2	φ 20 * L125
42	306FH0407	Rubber plug	2	φ 20
43	306FH0408	Snap ring	2	
44	306FH0409	Stop pin	3	φ 18 * L155
45	306FH0410	Rubber plug	3	φ 18
46	306FH0411	Rod pin	2	
	306TB0500	Through bolt ass'y	4	
47	306TB0501	Through bolt	4	
48	306TB0502	Through bolt nut	4	
49	306TB0503	Through bolt washer A	4	
50	306TB0504	Hexagonal nut	4	
51	306TB0505	Through bolt washer B	4	
52	306RR0600	Rod (w)	1	
	306RR0601	Rod (F)		
	306RR0602	Rod (M)		
	306RR0603	Rod (C)		
	306SL00000	Seal kit	1	
	306TL00000	Tool set	1	
	GC00000	GAS CHARGING KIT	1	
	GS00001	Sticker 2 (GREESE)	1	

2.1 BOX TYPE BRACKET



No.	Part No.	Part Name	Q'ty	Remarks
	306BB0000	Bracket assy	1	
1	306BB0001	Bracket, main	1	
2	306BB0002	Bracket, pin	2	
3	306BB0003	Bracket stop ring	2	
4	306BB0004	Bracket bush	4	
5	306BB0005	Stopping bolt	2	
6	306BB0006	Grease nipple	2	
7	306BB0007	Spacer bolt	4	M24 * P3 * L45
8	306BB0008	Spring washer	4	5.9t
9	306BB0009	Spacer	2	
10	306BB0010	Mounting cap	1	
11	306BB0011	Mounting cap bolt	12	M20 * P2.5 * L80
12	306BB0012	Spring washer	12	5.1t
13	306BB0013	Mounting cap nut	24	M20 * P2.5 * 16t
14	306BB0014	Damper	1	
15	306BB0015	Damper cover	1	
16	306BB0016	Damper cover bolt	8	M16 *P2 * L40
17	306BB0017	Spring washer	8	4t
18	306BB0018	Top damper	1	
19	306BB0019	Front damper	1	
21	306BB0021	Rear damper(1)	1	
22	306BB0022	Rear damper(2)	1	
23	306BB0023	Side damper(1)	2	
24	306BB0024	Side damper(2)	2	
25	306BB0025	Stopping nut	4	