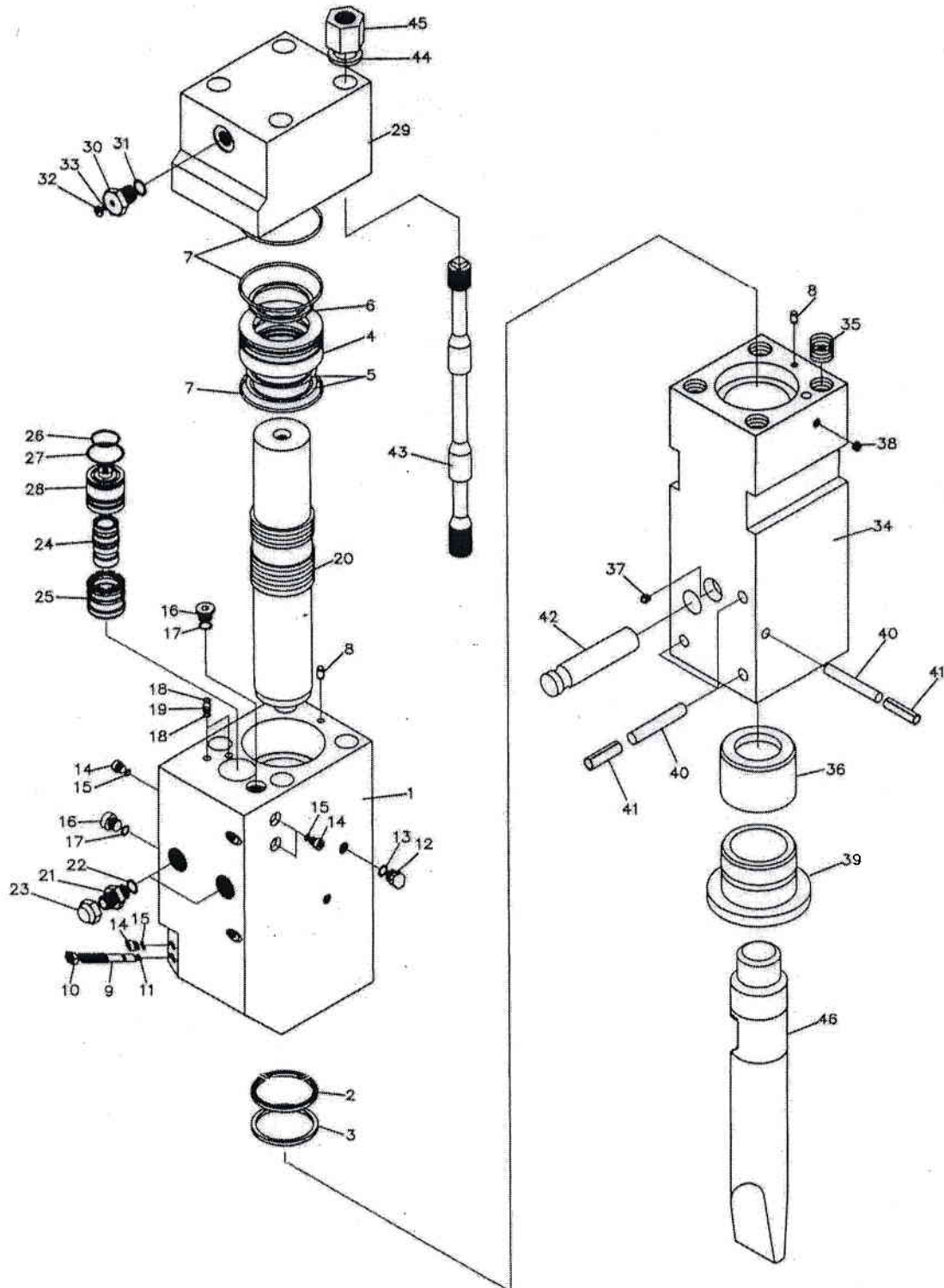


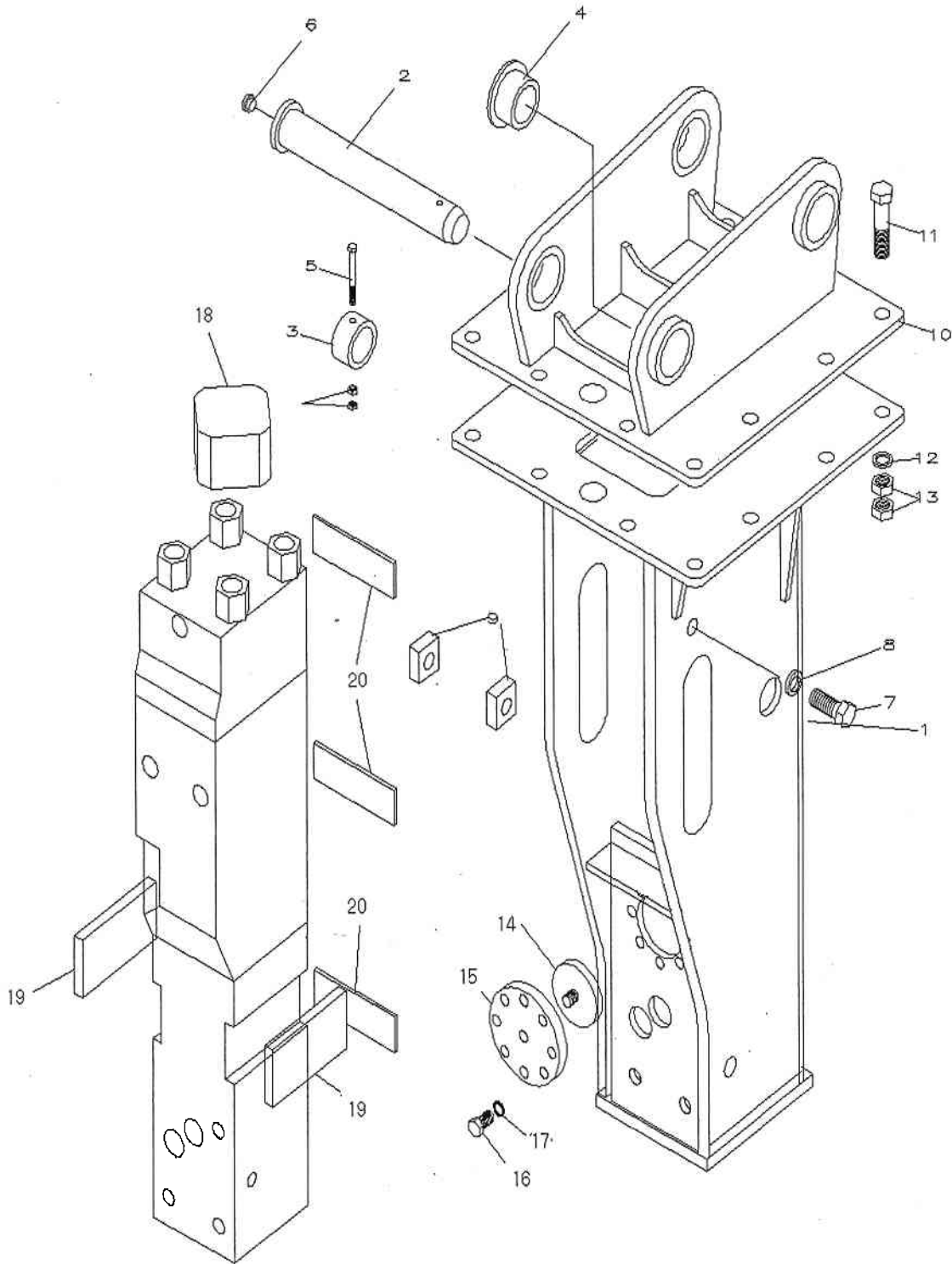
1.1 MAIN BODY ASSEMBLY

Model : UB-303



NO	Part No.	Part name	Q'ty	Remarks
	303CY0100	Cylinder ass'y	1	
1	303CY0101	Cylinder	1	
2	303CY0102	U-packing	1	ISI 70 * 80 * 6
3	303CY0103	Dust seal	1	DSI 70 * 80 * 6 * 8
4	303CY0104	Seal retainer	1	
5	303CY0105	Slide-packing	2	HBT 68 * 83.5 * 5.9
	303CY0105-1	O-ring	2	With Slide-packing
6	303CY0106	Seal-ring	1	Q 68
7	303CY0107	O-ring	3	1BG 95
8	303CY0108	Knock pin	2	
9	303CY0109	Cylinder adjuster	1	
10	303CY0110	Adjuster nut	1	
11	303CY0111	O-ring	1	1BP 6
12	303CY0112	Air plug	1	
13	303CY0113	O-ring	1	1BP 14
14	303CY0114	1/4" Socket plug	6	
15	303CY0115	O-ring	6	1BP 11
16	303CY0116	3/8" Socket plug	2	
17	303CY0117	O-ring	2	1BP 14
18	303CY0118	O-ring	4	1BP 6
19	303CY0119	Teflon plug	2	φ9 * 12.7
20	303CY0120	Piston	1	
21	303CY0121	Adapter	2	1/2" #4
22	303CY0122	O-ring	2	1BG 18
23	303CY0123	Union cap	2	
	303VV0200	Valve ass'y	1	
24	303VV0201	Valve	1	
25	303VV0202	Sleeve	1	
26	303VV0203	O-ring	1	1BG 30
27	303VV0204	O-ring	1	1BG 40
28	303VV0205	Valve cover	1	
	303BH0300	Back head ass'y	1	
29	303BH0301	Hack head	1	
30	303BH0302	B/H charging valve	1	
31	303BH0303	O-ring	1	1BP18

2.1 BOX TYPE BRACKET



No.	Part No.	Part Name	Q'ty	Remarks
	303BB0000	Bracket assy	1	
1	303BB0001	Bracket, main	1	
2	303BB0002	Bracket, pin	2	
3	303BB0003	Bracket stop ring	2	
4	303BB0004	Bracket bush	4	
5	303BB0005	Stopping bolt	2	
6	303BB0006	Grease nipple	2	
7	303BB0007	Spacer bolt	2	M20 * P2.5 * L30
8	303BB0008	Spring washer	2	5.1t
9	303BB0009	Spacer	2	
10	303BB0010	Mounting cap	1	
11	303BB0011	Mounting cap bolt	12	M20 * P2 * L80
12	303BB0012	Spring washer	12	5.1t
13	303BB0013	Mounting cap nut	24	16t
14	303BB0014	Damper	1	
15	303BB0015	Damper cover	1	
16	303BB0016	Damper cover bolt	8	M12 * P1.75 * L30
17	303BB0017	Spring washer	8	3t
18	303BB0018	Top damper	1	
19	303BB0019	Set up damper	2	
20	303BB0020	Rear damper	3	
21	303BB0021	Stopping nut	4	
	303SL0000	Seal kit	1	
	303TL0000	Tool set	1	
	GC00000	GAS CHARGING KIT	1	
	GS00002	Sticker 2 (GREASE)	1	