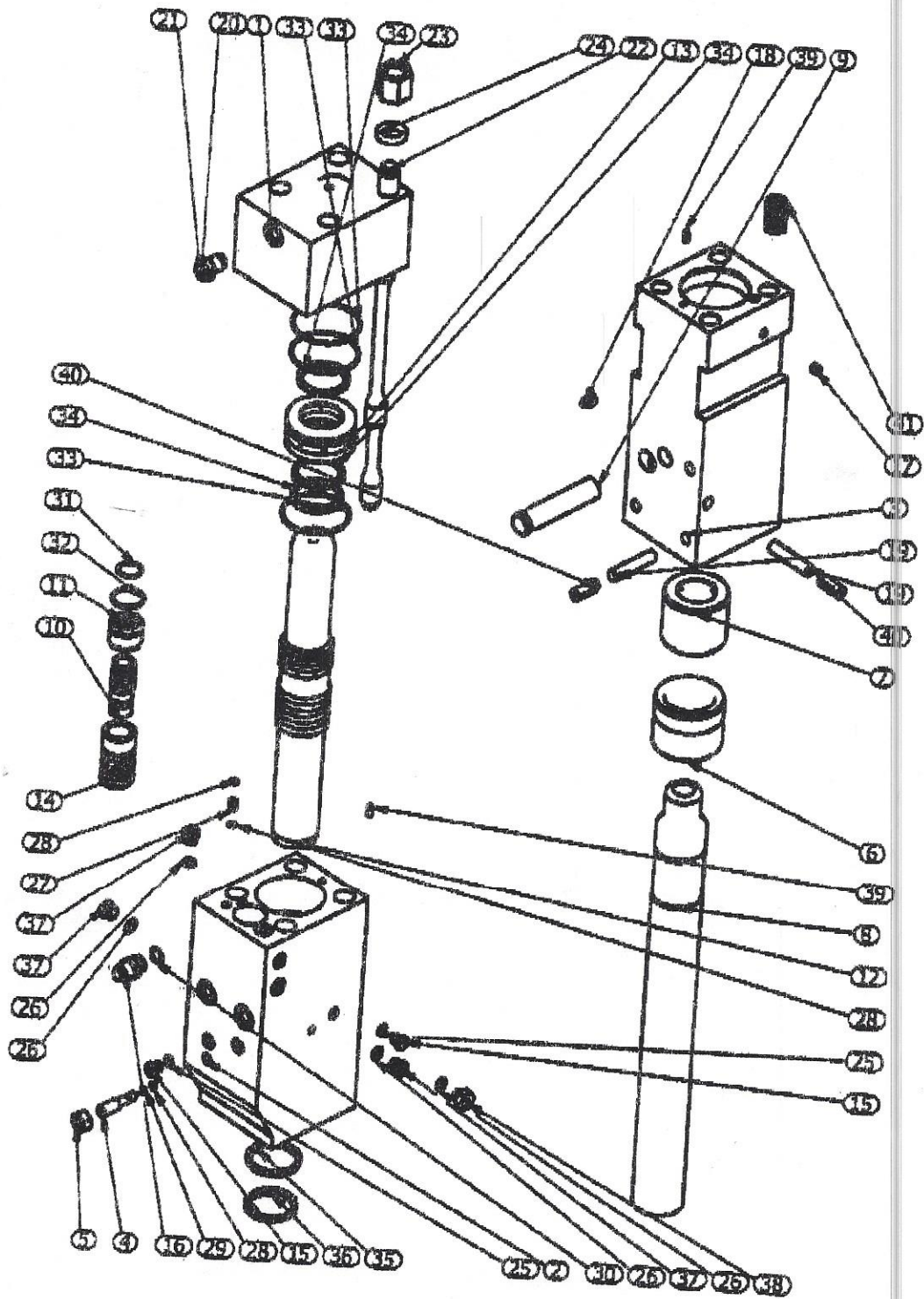


UB303-1



UB303-1

시트

| No | Part No | Usage | Part Name | Remarks |
|----|-----------|-------|---------------------|---------|
| 1 | 850ABE001 | 1 | B-Head | |
| 2 | 850ACE002 | 1 | Cylinder | |
| 3 | 850AFE003 | 1 | Front Head | |
| 4 | 850CCC004 | 1 | Cyl Adjuster | |
| 5 | 850CCC005 | 1 | Cyl Adjuster Nut | |
| 6 | 850BFE006 | 1 | Front Cover | |
| 7 | 850BFE007 | 1 | Thrust Bush | |
| 8 | 850BFE008 | 1 | Chisel | |
| 9 | 850BFC009 | 1 | Chisel Pin | |
| 10 | 850AVC010 | 1 | Valve | |
| 11 | 850AVC011 | 1 | V-Cover | |
| 12 | 850ACC012 | 1 | Piston | |
| 13 | 850ACC013 | 1 | Seal Retainer | |
| 14 | 850AVC014 | 1 | Sleeve | |
| 15 | 850CCC015 | 2 | 1-4 Socket Plug | |
| 16 | 850CCC016 | 1 | Adapter | |
| 17 | 850CCC017 | 1 | 1-4 Hollow Plug | |
| 18 | 850CCC018 | 1 | Grease Nipple | |
| 19 | 850BFC019 | 2 | Stop Pin | |
| 20 | 850CBC020 | 1 | B-H Charging Wv | |
| 21 | 850CBC021 | 1 | B-H Charging Wv Cap | |
| 22 | 850BSC022 | 1 | Side Rod | |
| 23 | 850BSC023 | 1 | Hex Nut | |
| 24 | 850BSC024 | 1 | Side Rod Washer | |
| 25 | 850CCC025 | 2 | O-Ring P11 | |
| 26 | 850CCC026 | 4 | O-Ring P14 | |
| 27 | 850CCC027 | 1 | Teflon Plug | |
| 28 | 850CCC028 | 3 | O-Ring P8 | |
| 29 | 850CCC029 | 1 | Back-up Ring P8 | |
| 30 | 850CCC030 | 1 | O-Ring P18 | |
| 31 | 850CCC031 | 1 | O-Ring G30 | |
| 32 | 850CCC032 | 1 | O-Ring G40 | |
| 33 | 850CCC033 | 3 | O-Ring G90 | |
| 34 | 850CCC034 | 3 | U-Packing 60 | |
| 35 | 850CCC035 | 1 | U-Packing 63 | |
| 36 | 850CCC036 | 1 | Dust Seal 63 | |
| 37 | 850CCC037 | 3 | 3-8 Socket Plug | |
| 38 | 850CCC038 | 1 | Air Plug | |
| 39 | 850CCC039 | 2 | Knock Pin | |
| 40 | 850FC040 | 2 | Spring Pin | |
| 41 | 850FC041 | 1 | M27 Hell-Coil | |

303-1 Main Body Parts

