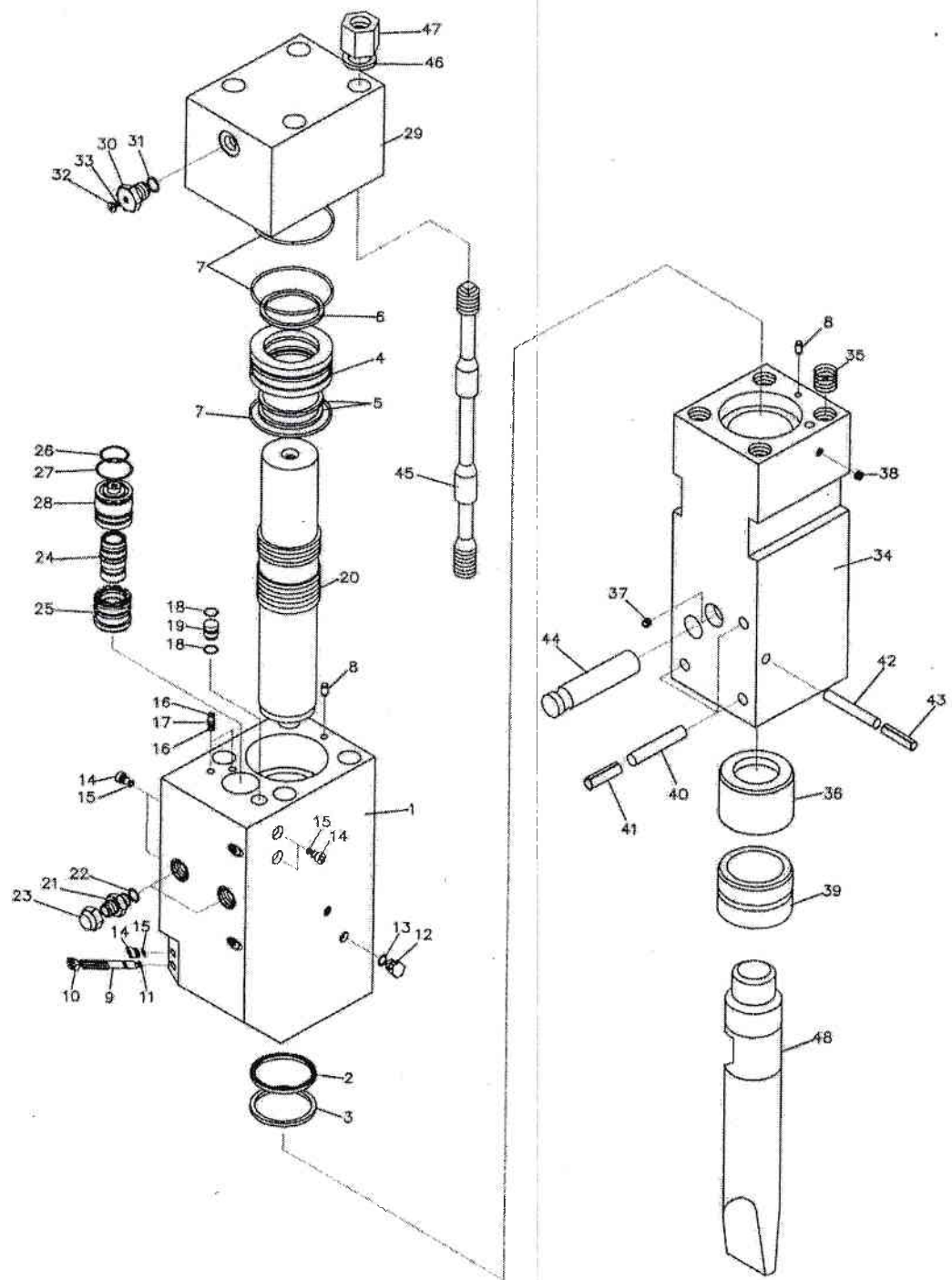


1.1 MAIN BODY ASSEMBLY

Model : UB-301



NO	Part No.	Part name	Q'ty	Remarks
	301CY0100	Cylinder ass'y	1	
1	301CY0101	Cylinder	1	
2	301CY0102	U-packing	1	ISI 45 * 55 * 6
3	301CY0103	Dust seal	1	DSI 45 * 53 * 5 * 6.5
4	301CY0104	Seal retainer	1	
5	301CY0105	Slide packing	2	φ 43.5
	301CY0105-1	O-ring	2	
6	301CY0106	Seal-ring	1	YBS 43.5
7	301CY0107	O-ring	3	1BG 65
8	301CY0108	Knock pin	2	
9	301CY0109	Cylinder adjuster	1	
10	301CY0110	Adjuster nut	1	
11	301CY0111	O-ring	1	1BP 6
12	301CY0112	Air-plug	1	
13	301CY0113	O-ring	1	1BP 14
14	301CY0114	1/4" Socket plug	7	
15	301CY0115	O-ring	7	1BP 11
16	301CY0116	O-ring	4	1BP 6
17	301CY0117	Teflon plug	2	φ 9 * 12.7
18	301CY0118	O-ring	2	1BP 9
19	301CY0119	Teflon plug	1	φ 12 * 15
20	301CY0120	Piston	1	
21	301CY0121	Adapter	2	
22	301CY0122	O-ring	2	1BP18
23	301CY0123	Union cap	2	
	301VV0200	Valve ass'y	1	
24	301VV0201	Valve	1	
25	301VV0202	Sleeve	1	
26	301VV0203	O-ring	1	1BG30
27	301VV0204	O-ring	1	1BP36
28	301VV0205	Valve cover	1	
	301BH0300	Back head ass'y	1	
29	301BH0301	Back head	1	
30	301BH0302	B/H charging valve	1	
31	301BH0303	O-ring	1	1BP18

2.1 BOX TYPE BRACKET

