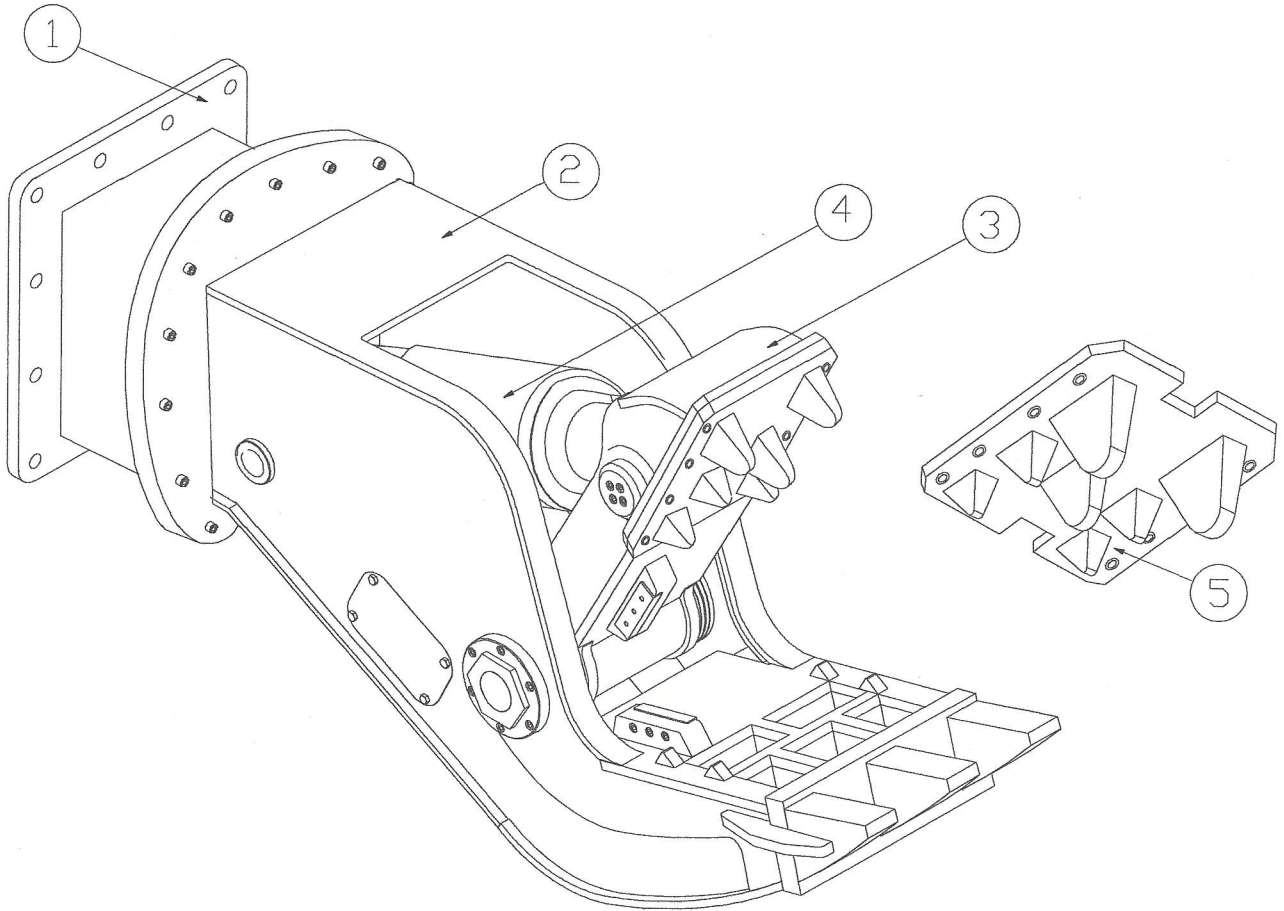
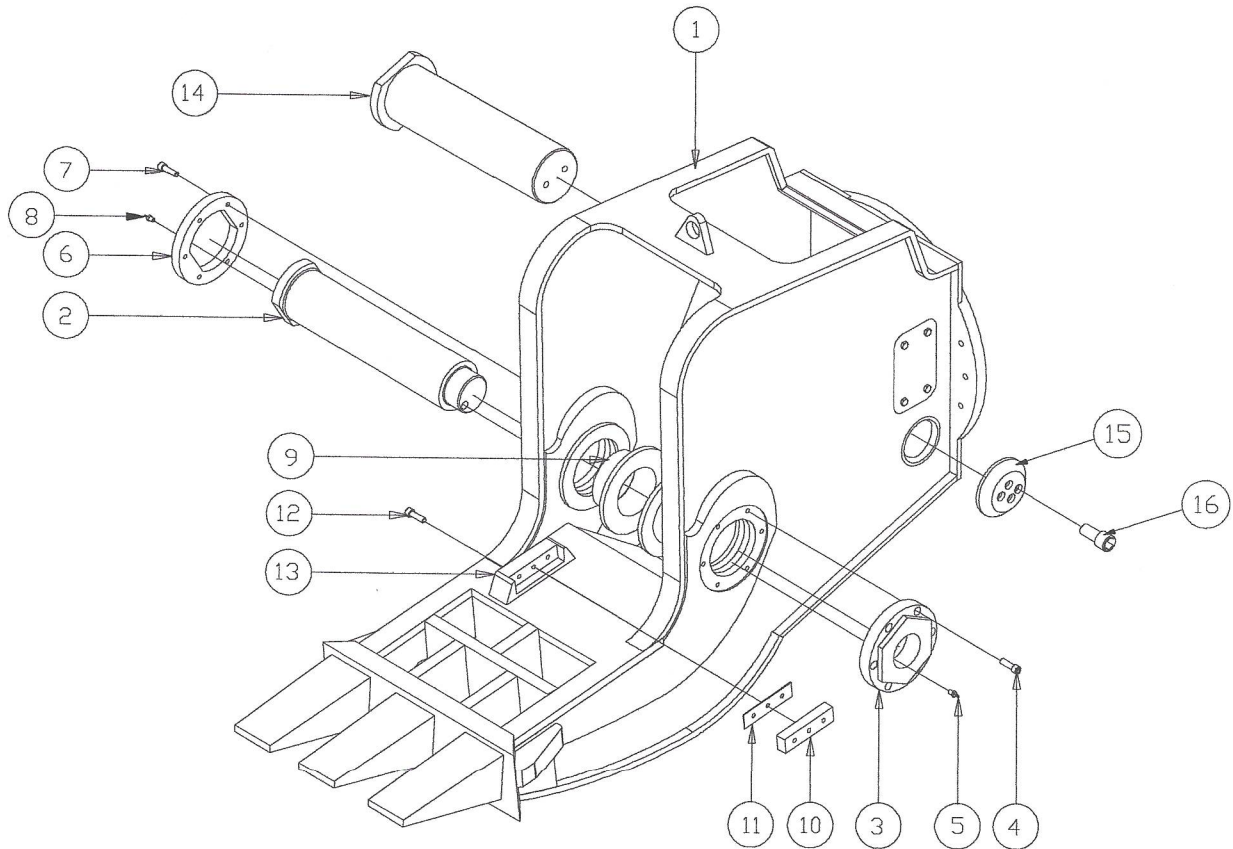


PART LIST  
FOR URC122RR



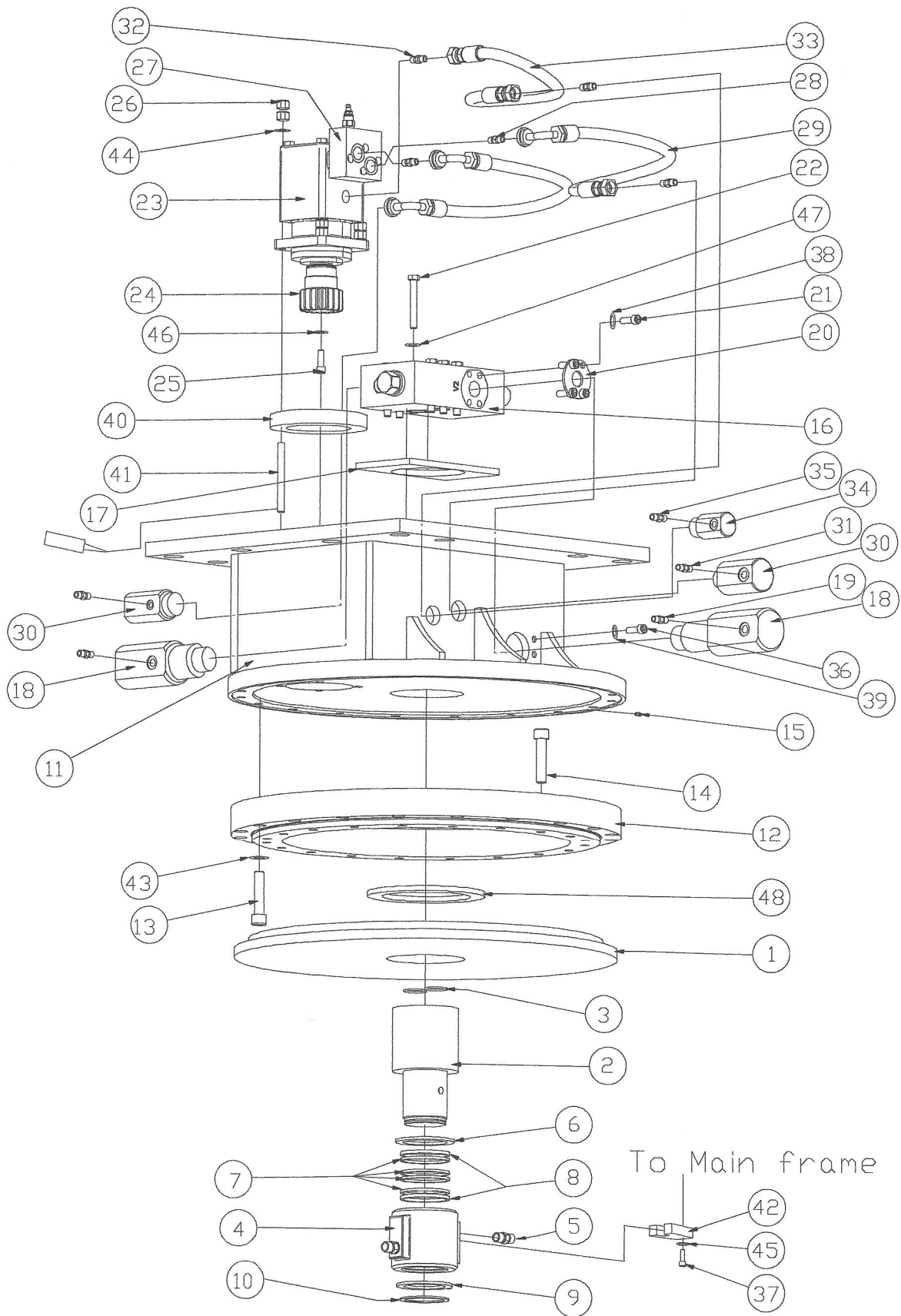
PART LIST		
ITEM	PART NAME	QTY
1	UPPER BRACKET	1
2	MAIN BODY	1
3	ARM BODY	1
4	CYLINDER	1
5	BOLT ON TOOTH PLATE	1

# URC122RR MAIN BODY ASSEMBLE





# URC122RR ROTATOR ASSEMBLY



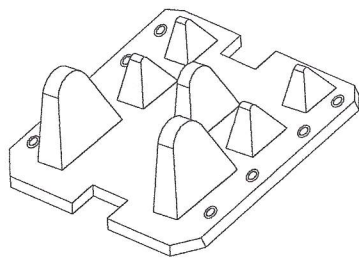
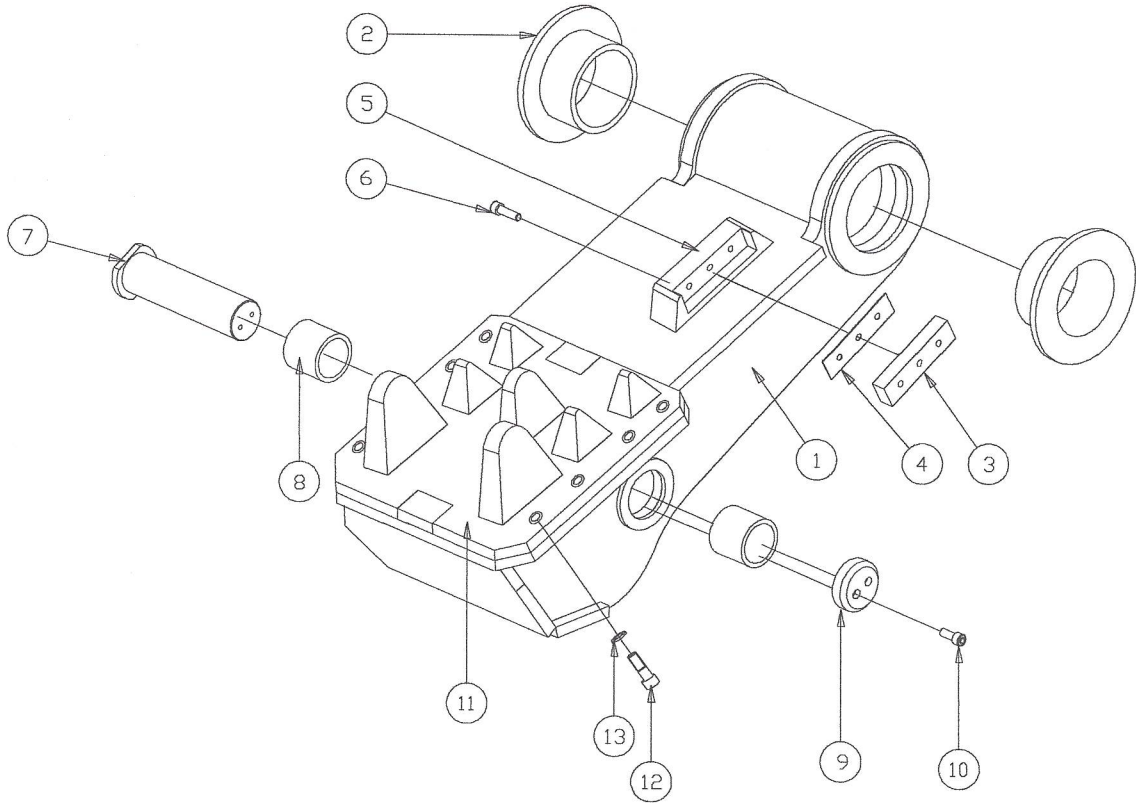
# URC122RR ROTATOR ASSEMBLY

1/2

PART LIST				
ITEM	PART NAME	PART NO	SPEC	QTY
1	MAIN BODY UPPER PLATE	U122RR -R001		1
2	JOINT SHAFT	U122RR -R002		1
3	JOINT SHAFT O-RING	U122RR -R003	BP47	2
4	JOINT CYLINDER	U122RR -R004		1
5	JOINT NIPPLE	U122RR -R005	PT3/4" x 90°#4	2
6	JOINT SHAFT UPPER COLLER	U122RR -R006		1
7	JOINT SEAL KIT	U122RR -R007	MSB90	1kit
8	JOINT O-RING	U122RR -R008	BP90	2
9	JOINT SHAFT BOTTOM COLLAR	U122RR -R009		1
10	SNAP-RING	U122RR -R010	C85	1
11	BRACKET UPPER PLATE	U122RR -R011		1
12	SWING BEARRING	U122RR -R012	800x75	1
13	BOTTOM BOLT	U122RR -R013	M20x90	40
14	UPPER BOLT	U122RR -R014	HEX M20x90	40
15	GREASE NIPPLE	U122RR -R015	1/8"	1
16	SPEED UP V/V	U122RR -R016		1
17	SPEED UP V/V BASE	U122RR -R017		1
18	MAIN HOSE HOLDER	U122RR -R018		2
19	MAIN HOSE NIPPLE	U122RR -R019	1" x #4	1
20	HOSE FRANGE	U122RR -R020		2
21	HOSE FRANGE BOLT	U122RR -R021	M10x35L	8
22	SPEED UP V/V BOLT	U122RR -R022	M16-120L	7
23	HYDRAULIC MOTOR	U122RR -R023	MT-400	1
24	PINION GEAR	U122RR -R024		1
25	PINION GEAR LOCK BOLT	U122RR -R025	M12x30L	1
26	NUT	U122RR -R026	M14	8
27	BRAKE VALVE	U122RR -R027		1
28	BRAKE VALVE NIPPLE	U122RR -R028	1/2"	2
29	MOTOR LINE HOSE	U122RR -R029	1/2"	2



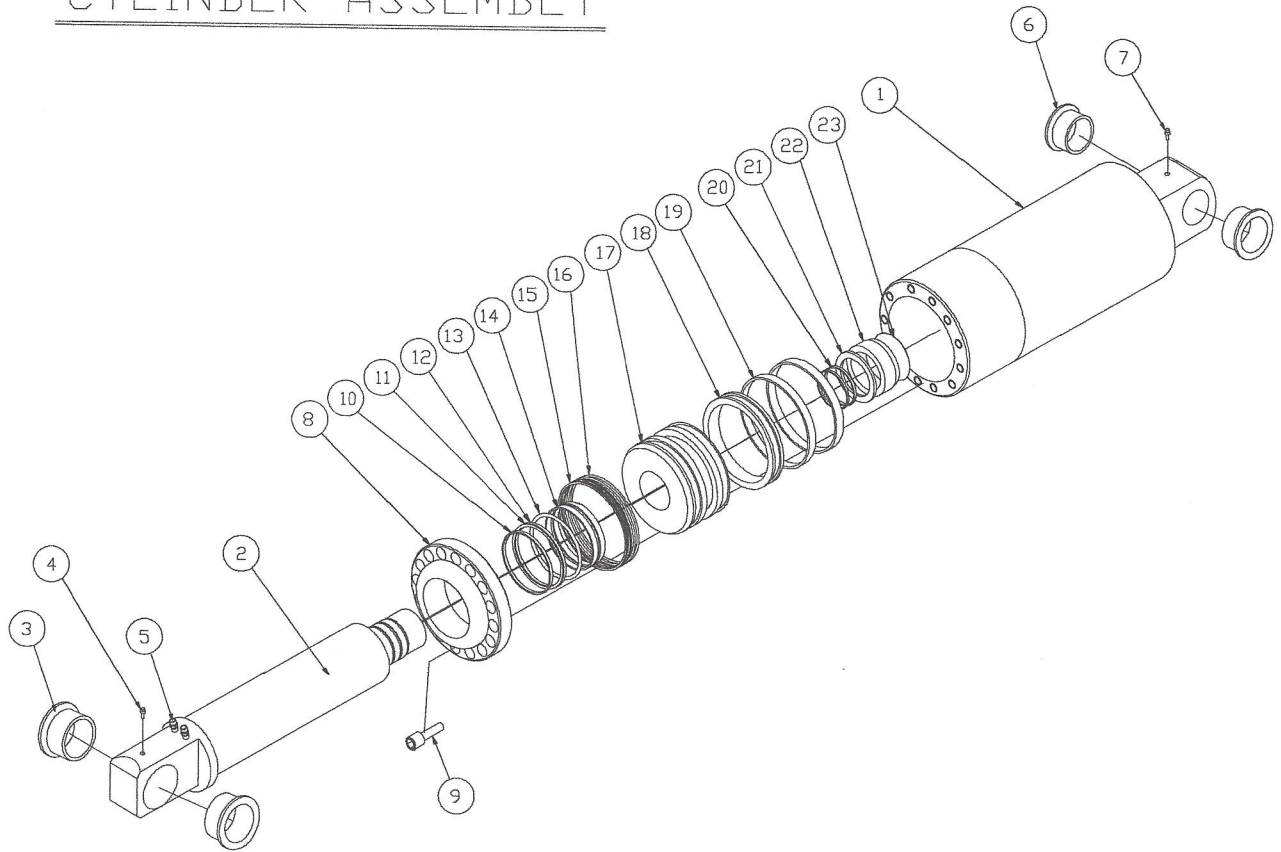
# URC122RR ARM BODY ASSEMBLE



## URC122RR ARM BODY

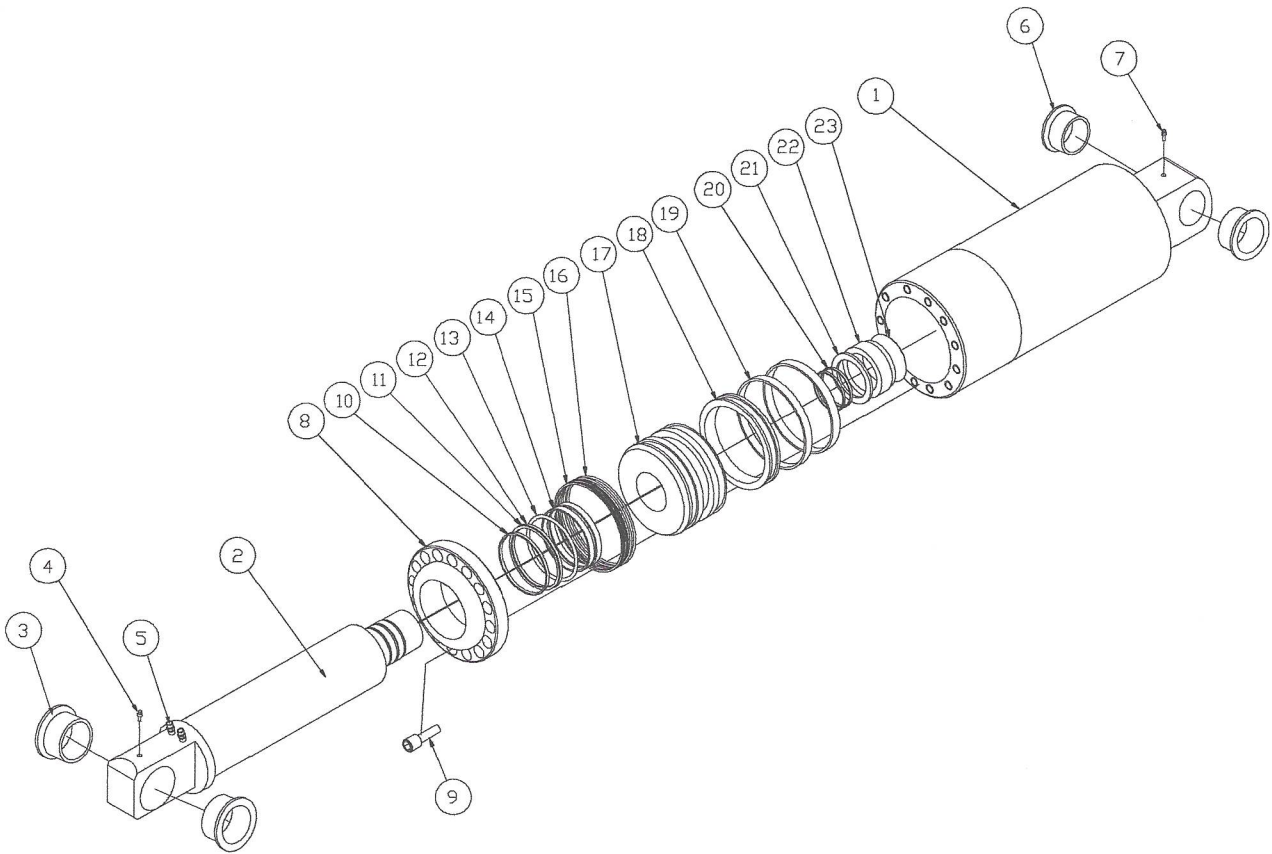
PART LIST				
ITEM	PART NAME	PART NO	SPEC	QTY
1	ARM BODY	U122RR-A001		1
2	ARM MAIN BUSH	U122RR-A002		2
3	BLADE	U122RR-A003		1
4	BLADE SHIM	U122RR-A004		1
5	BLADE HOUSING	U122RR-A005		1
6	" BOLT	U122RR-A006	M12x55L	3
7	ARM PIN	U122RR-A007		1
8	ARM SIDE BUSH	U122RR-A008		2
9	ARM PIN CAP	U122RR-A009		1
10	" BOLT	U122RR-A010	M12x35L	2
11	BOLT ON TOOTH PLATE	U122RR-A011		1
12	BOLT ON TOOTH PLATE BOLT	U122RR-A012	M30x65L	8
13	" WASHER	U122RR-A013		8
14				
15				
16				
17				
18				
19				
20				
21				
22				
23				
24				
25				

# CYLINDER ASSEMBLY



PART LIST				
ITEM	PART NAME	PART NO	SPEC	QTY
1	CYLINDER TUBE	U122RR-C001		1
2	ROD	U122RR-C002		1
3	ROD BUSH	U122RR-C003		2
4	GREASE NIPPLE	U122RR-C004	1/8"	1
5	LINE NIPPLE	U122RR-C005	PT 1"	2
6	CYLINDER HOLDER BUSH	U122RR-C006		2
7	GREASE NIPPLE	U122RR-C007	1/8"	1
8	CYLINDER CAP	U122RR-C008		1
9	CYLINDER CAP BOLT	U122RR-C009	M20x55L	15
10	DUST SEAL	U122RR-C010	150x163x7	1
11	ROD SEAL BACKUP RING	U122RR-C011	150x165x3t	1
12	ROD SEAL	U122RR-C012	150x165x9t	1
13	ROD SEAL(STEP SEAL)	U122RR-C013	150x165.5x6	1
14	ROD WEAR RING	U122RR-C014	150X157x25	2
15	CYLINDER CAP O-RING B/R	U122RR-C015	BG210x1.9	2
16	CYLINDER CAP O-RING	U122RR-C016	BG210	2

# CYLINDER ASSEMBLY



PART LIST				
ITEM	PART NAME	PART NO	SPEC	QTY
17	PISTON	U122RR-C017		1
18	PISTON SEAL	U122RR-C018	SPGW220	1
19	PISTON WEAR RING	U122RR-C019	212x220X25	2
20	ROD O-RING	U122RR-C020	BG105	1
21	PISTON COLLAR	U122RR-C021	BG105x1.2	1
22	PISTON NUT	U122RR-C022		1
23	LOCK KEY	U122RR-C023		1